

**IBM**

**I/O Keyboard Printer**

OFFICE PRODUCTS DIVISION  
CUSTOMER ENGINEERING  
INTERNATIONAL BUSINESS MACHINES CORPORATION  
LEXINGTON, KENTUCKY

**IBM**  
®

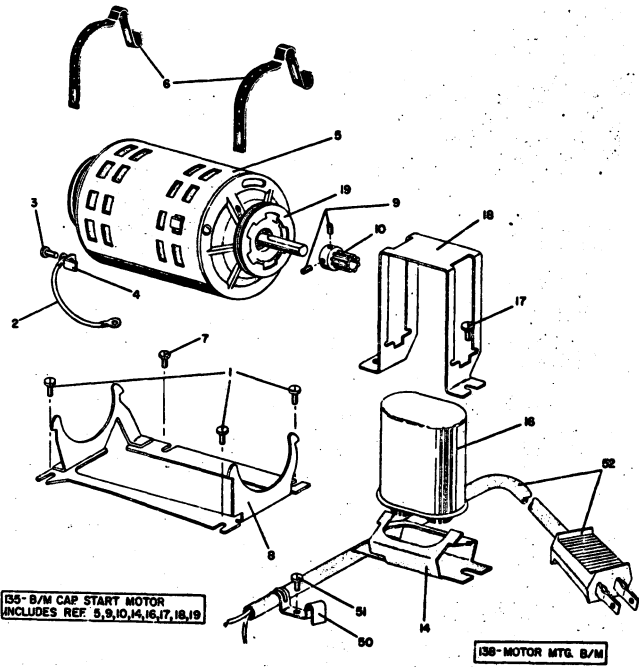
**Parts Catalog**

Form/Part No. 241-5157-6  
Printed August 15, 1966

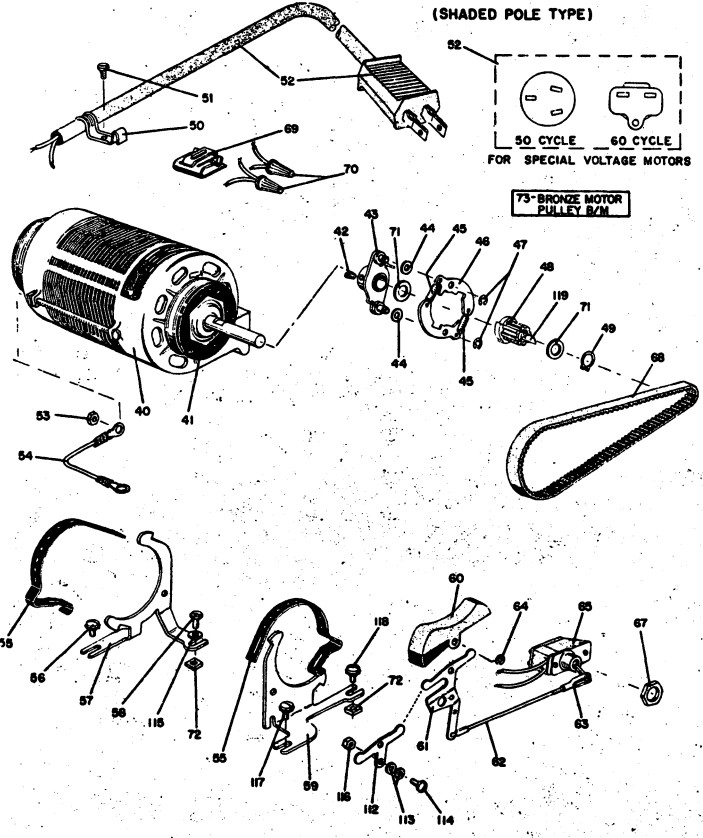
# CONTENTS

	Page	Code
<b>Drawings and Listings</b>		
Motor and Drive Mechanism . . . . .	1	501
Character Selection Mechanism . . . . .	2	502
Keyboard Selection Mechanism . . . . .	3-4	503
(Dual Impression) Character Selection . . . . .	4	503
Keybuttons . . . . .	5	503
Cam Shaft Assembly (Character Selection) . . . . .	6	504
Print Feedback and Lever Contact Assemblies . . . . .	6	504
Selection Pusher Assembly . . . . .	7	505
Selection Contact Assembly . . . . .	7	506
Selection Magnet Assembly . . . . .	8	507
Carrier Assembly . . . . .	9	508
Rocker (Gear Tilt) . . . . .	9	508
Rocker (Gearless Tilt) . . . . .	10	508
Operational Shaft Assembly . . . . .	10-11	510
Operational Bracket Assembly . . . . .	11	511
Operational Feedback Contact Assembly . . . . .	12	511
Operational Magnet Assembly . . . . .	12-13	512
Operational Contact Latch Assembly . . . . .	13	513
Escapement Mechanism . . . . .	14	515
Tab Mechanism . . . . .	14-15	516
Spacebar Mechanism . . . . .	16	517
Backspace Mechanism . . . . .	16	518
Carrier Return Mechanism . . . . .	17	519
Index Mechanism . . . . .	18	520
Shift Mechanism . . . . .	19	522
Shift Magnet and Contact Assemblies . . . . .	20	523
Keyboard Lock Mechanism . . . . .	20	524
Linelock and Bell Mechanism . . . . .	21	524
Margin Mechanism . . . . .	22	525
Paper Feed Mechanism . . . . .	23-24	526
Platen Assemblies . . . . .	25	527
Film Ribbon Mechanism . . . . .	26	528
Fabric Ribbon Mechanism . . . . .	27	529
Red Ribbon Shift Mechanism . . . . .	27	530
Frame Assembly . . . . .	28	531
Cable Assemblies . . . . .	28	533
Cover Mounting Parts . . . . .	29	534
Cover Assembly and Mounting . . . . .	29	535
Cover Insulation . . . . .	30	535
Covers - Tilt-Up . . . . .	30	535
Acoustic Hood . . . . .	31	536

(CAPACITOR TYPE)-MOTOR & DRIVE MECH.



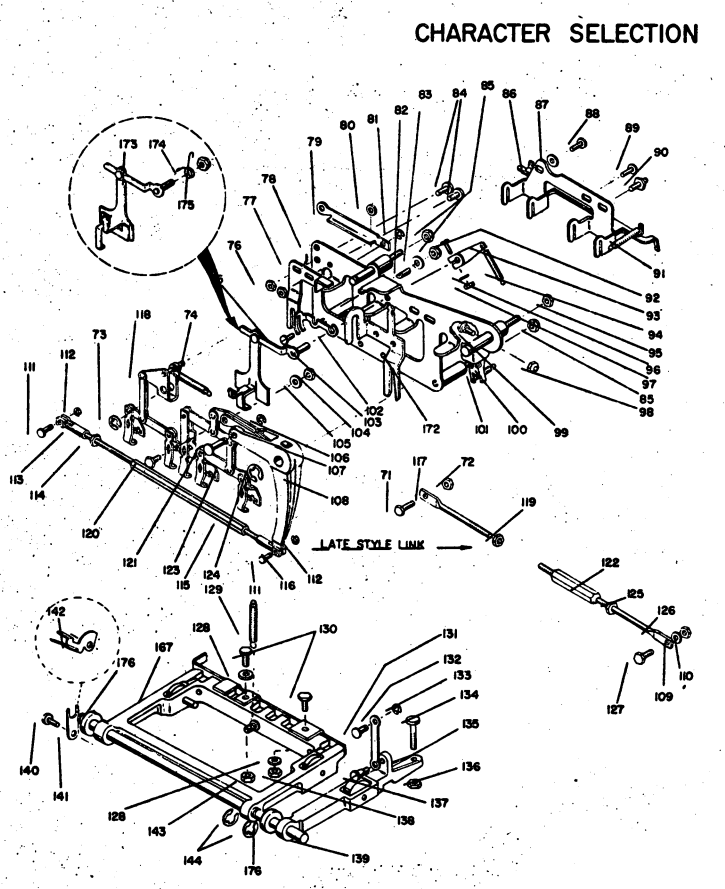
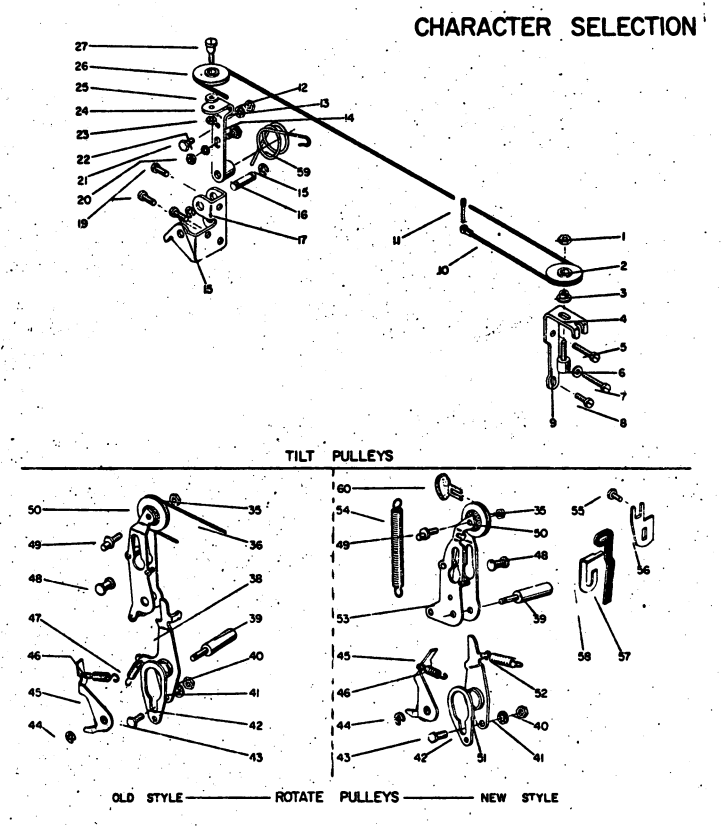
MOTOR & DRIVE MECH.  
(SHADED POLE TYPE)

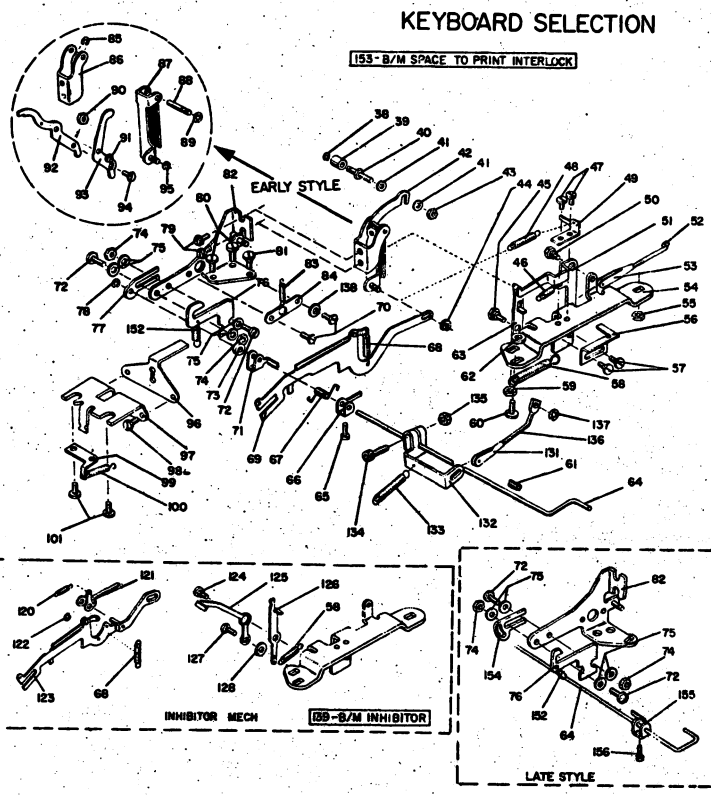
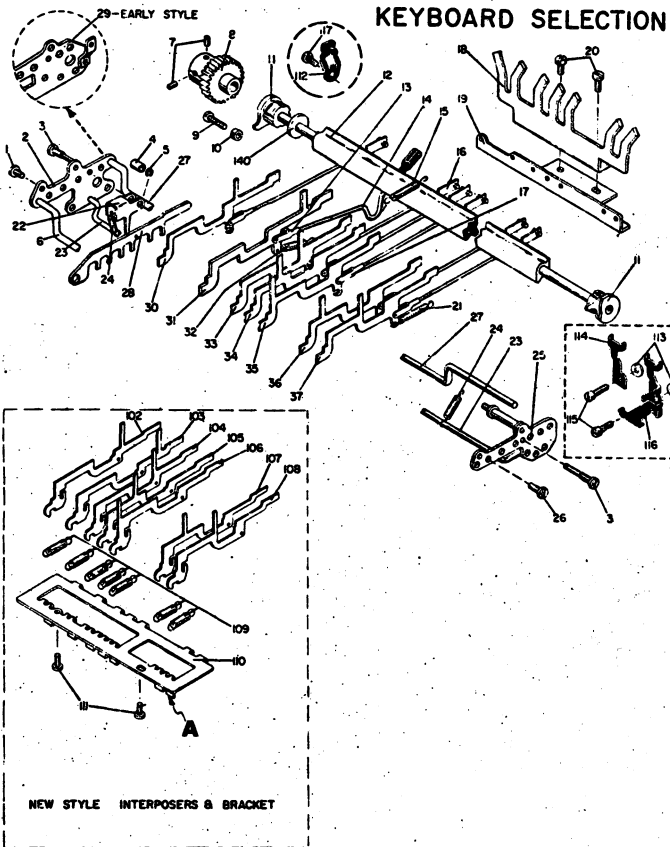


REF. PART NO.	DESCRIPTION	REF. PART NO.	DESCRIPTION
1	1164576 SCREW	40	1141325 MOTOR, 230V, 60CY AC
2	1159637 WIRE GROUND, 3 WIRE	40	1141327 MOTOR, 115V, 50CY AC
3	1928 SCREW, CLIP	40	1141328 MOTOR, 230V, 50CY
4	1263006 CLIP	41	1141077 RUBBER RING, MOTOR SUPPORT
5	1166082 MOTOR, 115V 60CY AC	42	1100523 SCREW, CLUTCH MTG
6	1166083 MOTOR, 220/230V, 50/60 CY	43	1134741 HUB, MOTOR CLUTCH
7	1132508 RETAINER	44	1035 SPACER, NYLON, 50CY
8	265195 SCREW, MTR BRKT	44	* 1141504 SPACER, NYLON, 60CY
9	1124562 BRKT, ASM MTR	45	1128490 SPRING PAWL
10	1073462 SCREW, MTR PULLEY	45	1159132 SPRING, 50CY
10	1159175 PULLEY, 60 CY	46	* 1141923 PAWL, MOTOR
10	1159780 PULLEY, 50 CY	46	1159135 PAWL, 50 CY
14	1159781 INSULATOR CAP	47	1073418 RETAINER
16	1159791 CAPACITOR, 4 MFD	48	* 1159212 PULLEY, MOTOR, 60CY
16	USE 4 MFD CAP TO REPLACE 3 MFD	48	1159537 PULLEY, 50 CY
16	1107025 CAP, 2 MFD	*TO REPLACE ANY OF THESE BELOW SN 4077100 OR 4387000 ORDER REF 73.	
17	1124740 SCREW, NYLON, 2 WIRE	49	103689 RETAINER, MTR PULLEY
17	1117759 SCREW, METAL, 3 WIRE	50	1134822 CLAMP, LINE CORD
18	1159779 BRKT	51	1164576 SCREW
19	1260156 RUBBER RING, R&M	52	1336827 CORD, MOTOR, 2 WIRE
40	1134818 MOTOR, 110V, 60CY ON PRINTERS WITH TILT UP COVERS	52	1164308 CORD, 2 WIRE, 13 FT
USE REFERENCE 135			
40	1141325 MOTOR, 230V, 60CY AC	52	1124744 CORD, MOTOR, 3 WIRE
40	1141327 MOTOR, 115V, 50CY AC	52	1164309 CORD, 3 WIRE, 13 FT
40	1141328 MOTOR, 230V, 50CY	52	1141416 CORD, MOTOR, 230V, 60CY
41	1141077 RUBBER RING, MOTOR SUPPORT	52	1074978 CORD, MOTOR, ALL 50CY
42	1100523 SCREW, CLUTCH MTG	53	38051 NUT, GROUND WIRE
43	1134741 HUB, MOTOR CLUTCH	54	1127055 WIRE, GROUND, 3 WIRE
44	1035 SPACER, NYLON, 50CY	55	1132508 RETAINER
44	* 1141504 SPACER, NYLON, 60CY	56	1164577 SCREW, MTR BRKT
45	1128490 SPRING PAWL	57	1134825 BRKT, LH MOTOR MTG
45	1159132 SPRING, 50CY	58	35665 SCREW, MTR BRKT
46	* 1141923 PAWL, MOTOR	59	1134826 BRKT, RH MTR MTG
46	1159135 PAWL, 50 CY	60	1144940 KEYBUTTON, 775
47	1073418 RETAINER	60	1124880 KEYBUTTON, GRAY
48	* 1159212 PULLEY, MOTOR, 60CY	61	1124410 LEVER, ON-OFF
48	1159537 PULLEY, 50 CY	62	1133520 LINK, ON-OFF
*TO REPLACE ANY OF THESE BELOW SN 4077100 OR 4387000 ORDER REF 73.			
49	103689 RETAINER, MTR PULLEY	63	1070020 CLEVIS
50	1134822 CLAMP, LINE CORD	64	1073418 RETAINER
51	1164576 SCREW	65	1124811 SWITCH
52	1336827 CORD, MOTOR, 2 WIRE	65	1135014 SWITCH, 4 WIRE
52	1164308 CORD, 2 WIRE, 13 FT	65	1135015 SWITCH, 4 WIRE WITHOUT TAPER PIN
52	1124744 CORD, MOTOR, 3 WIRE	67	179743 NUT, SWITCH
52	1164309 CORD, 3 WIRE, 13 FT	68	1124812 BELT, DRIVE
52	1141416 CORD, MOTOR, 230V, 60CY	69	1132028 RETAINER, WIRE TERMINAL
52	1074978 CORD, MOTOR, ALL 50CY	70	1115061 SOLDERLESS CONNECTOR
53	38051 NUT, GROUND WIRE	71	1141503 SPACER
54	1127055 WIRE, GROUND, 3 WIRE	USE END SPACER ON 50 CY, USE BOTH ON 60 CY	
55	1132508 RETAINER	72	1134829 NUT, MTR BRKT
56	1164577 SCREW, MTR BRKT	73	1272045 B/M BRONZE PULLEY
57	1134825 BRKT, LH MOTOR MTG	112	1128787 LEVER
58	35665 SCREW, MTR BRKT	113	1124281 SPACER
59	1134826 BRKT, RH MTR MTG	114	38266 SCREW
60	1144940 KEYBUTTON, 775	115	1104286 WASHER
60	1124880 KEYBUTTON, GRAY	116	257186 NUT
61	1124410 LEVER, ON-OFF	MPOR TWIST LOCK PLUG W/O CORD, ORDER PN 624034	
62	1133520 LINK, ON-OFF	117	32265 SCREW, MTR BRKT
63	1070020 CLEVIS	118	35739 SCREW, MTR BRKT
64	1073418 RETAINER	119	1159211 INSERT, NYLAR
65	1124811 SWITCH	135	1272824 B/M CAP MOTOR 115V
65	1135014 SWITCH, 4 WIRE	135	1272655 B/M CAP MOTOR 230V
65	1135015 SWITCH, 4 WIRE WITHOUT TAPER PIN	135	1272458 B/M, MTR MTG
67	179743 NUT, SWITCH		
68	1124812 BELT, DRIVE		
69	1132028 RETAINER, WIRE TERMINAL		
70	1115061 SOLDERLESS CONNECTOR		
71	1141503 SPACER		
USE END SPACER ON 50 CY, USE BOTH ON 60 CY			
72	1134829 NUT, MTR BRKT		
73	1272045 B/M BRONZE PULLEY		
112	1128787 LEVER		
113	1124281 SPACER		
114	38266 SCREW		
115	1104286 WASHER		
116	257186 NUT		
MPOR TWIST LOCK PLUG W/O CORD, ORDER PN 624034			
117	32265 SCREW, MTR BRKT		
118	35739 SCREW, MTR BRKT		
119	1159211 INSERT, NYLAR		
135	1272824 B/M CAP MOTOR 115V		
135	1272655 B/M CAP MOTOR 230V		
135	1272458 B/M, MTR MTG		

REF. PART NO.	DESCRIPTION
1	257187 NUT, TILT PULLEY
2	1123749 PULLEY, TILT RH
3	1123750 BUSHING, RH TILT PULLEY
4	1124636 BRKT, RH TILT PULLEY
5	38354 SCREW, TILT PULLEY
6	38350 SCREW, TILT PULLEY
7	USE WITH SNAP W DUST SHIELDS
8	243680 WASHER, RH TILT PULLEY
9	1124683 SCREW, RH TILT PULLEY
10	38350 SCREW, TILT PULLEY BRKT
11	1123751 STUD, RH TILT PULLEY
12	1134810 TAPE, TILT 11"
13	1134816 TAPE, TILT 15"
14	1164314 TAPE, GEARLESS, 11"
15	1164316 TAPE, GEARLESS, 15"
16	1164316 TAPE, GEARLESS, 15"
17	1164316 TAPE, GEARLESS, 15"
18	1164316 TAPE, GEARLESS, 15"
19	1164316 TAPE, GEARLESS, 15"
20	1164316 TAPE, GEARLESS, 15"
21	1164316 TAPE, GEARLESS, 15"
22	1164316 TAPE, GEARLESS, 15"
23	1164316 TAPE, GEARLESS, 15"
24	1164316 TAPE, GEARLESS, 15"
25	1164316 TAPE, GEARLESS, 15"
26	1164316 TAPE, GEARLESS, 15"
27	1164316 TAPE, GEARLESS, 15"
28	1164316 TAPE, GEARLESS, 15"
29	1164316 TAPE, GEARLESS, 15"
30	1164316 TAPE, GEARLESS, 15"
31	1164316 TAPE, GEARLESS, 15"
32	1164316 TAPE, GEARLESS, 15"
33	1164316 TAPE, GEARLESS, 15"
34	1164316 TAPE, GEARLESS, 15"
35	1164316 TAPE, GEARLESS, 15"
36	1164316 TAPE, GEARLESS, 15"
37	1164316 TAPE, GEARLESS, 15"
38	1164316 TAPE, GEARLESS, 15"
39	1164316 TAPE, GEARLESS, 15"
40	1164316 TAPE, GEARLESS, 15"
41	1164316 TAPE, GEARLESS, 15"
42	1164316 TAPE, GEARLESS, 15"
43	1164316 TAPE, GEARLESS, 15"
44	1164316 TAPE, GEARLESS, 15"
45	1164316 TAPE, GEARLESS, 15"
46	1164316 TAPE, GEARLESS, 15"
47	1164316 TAPE, GEARLESS, 15"
48	1164316 TAPE, GEARLESS, 15"
49	1164316 TAPE, GEARLESS, 15"
50	1164316 TAPE, GEARLESS, 15"
51	1164316 TAPE, GEARLESS, 15"
52	1164316 TAPE, GEARLESS, 15"
53	1164316 TAPE, GEARLESS, 15"
54	1164316 TAPE, GEARLESS, 15"
55	1164316 TAPE, GEARLESS, 15"
56	1164316 TAPE, GEARLESS, 15"
57	1164316 TAPE, GEARLESS, 15"
58	1164316 TAPE, GEARLESS, 15"
59	1164316 TAPE, GEARLESS, 15"
60	1164316 TAPE, GEARLESS, 15"
61	1164316 TAPE, GEARLESS, 15"
62	1164316 TAPE, GEARLESS, 15"
63	1164316 TAPE, GEARLESS, 15"
64	1164316 TAPE, GEARLESS, 15"
65	1164316 TAPE, GEARLESS, 15"
66	1164316 TAPE, GEARLESS, 15"
67	1164316 TAPE, GEARLESS, 15"
68	1164316 TAPE, GEARLESS, 15"
69	1164316 TAPE, GEARLESS, 15"
70	1164316 TAPE, GEARLESS, 15"
71	1164316 TAPE, GEARLESS, 15"
72	1164316 TAPE, GEARLESS, 15"
73	1164316 TAPE, GEARLESS, 15"
74	1164316 TAPE, GEARLESS, 15"
75	1164316 TAPE, GEARLESS, 15"
76	1164316 TAPE, GEARLESS, 15"
77	1164316 TAPE, GEARLESS, 15"
78	1164316 TAPE, GEARLESS, 15"
79	1164316 TAPE, GEARLESS, 15"
80	1164316 TAPE, GEARLESS, 15"
81	1164316 TAPE, GEARLESS, 15"
82	1164316 TAPE, GEARLESS, 15"
83	1164316 TAPE, GEARLESS, 15"
84	1164316 TAPE, GEARLESS, 15"
85	1164316 TAPE, GEARLESS, 15"
86	1164316 TAPE, GEARLESS, 15"
87	1164316 TAPE, GEARLESS, 15"
88	1164316 TAPE, GEARLESS, 15"
89	1164316 TAPE, GEARLESS, 15"
90	1164316 TAPE, GEARLESS, 15"
91	1164316 TAPE, GEARLESS, 15"
92	1164316 TAPE, GEARLESS, 15"
93	1164316 TAPE, GEARLESS, 15"
94	1164316 TAPE, GEARLESS, 15"
95	1164316 TAPE, GEARLESS, 15"
96	1164316 TAPE, GEARLESS, 15"
97	1164316 TAPE, GEARLESS, 15"
98	1164316 TAPE, GEARLESS, 15"
99	1164316 TAPE, GEARLESS, 15"
100	1164316 TAPE, GEARLESS, 15"
101	1164316 TAPE, GEARLESS, 15"
102	1164316 TAPE, GEARLESS, 15"
103	1164316 TAPE, GEARLESS, 15"
104	1164316 TAPE, GEARLESS, 15"
105	1164316 TAPE, GEARLESS, 15"
106	1164316 TAPE, GEARLESS, 15"
107	1164316 TAPE, GEARLESS, 15"
108	1164316 TAPE, GEARLESS, 15"
109	1164316 TAPE, GEARLESS, 15"
110	1164316 TAPE, GEARLESS, 15"

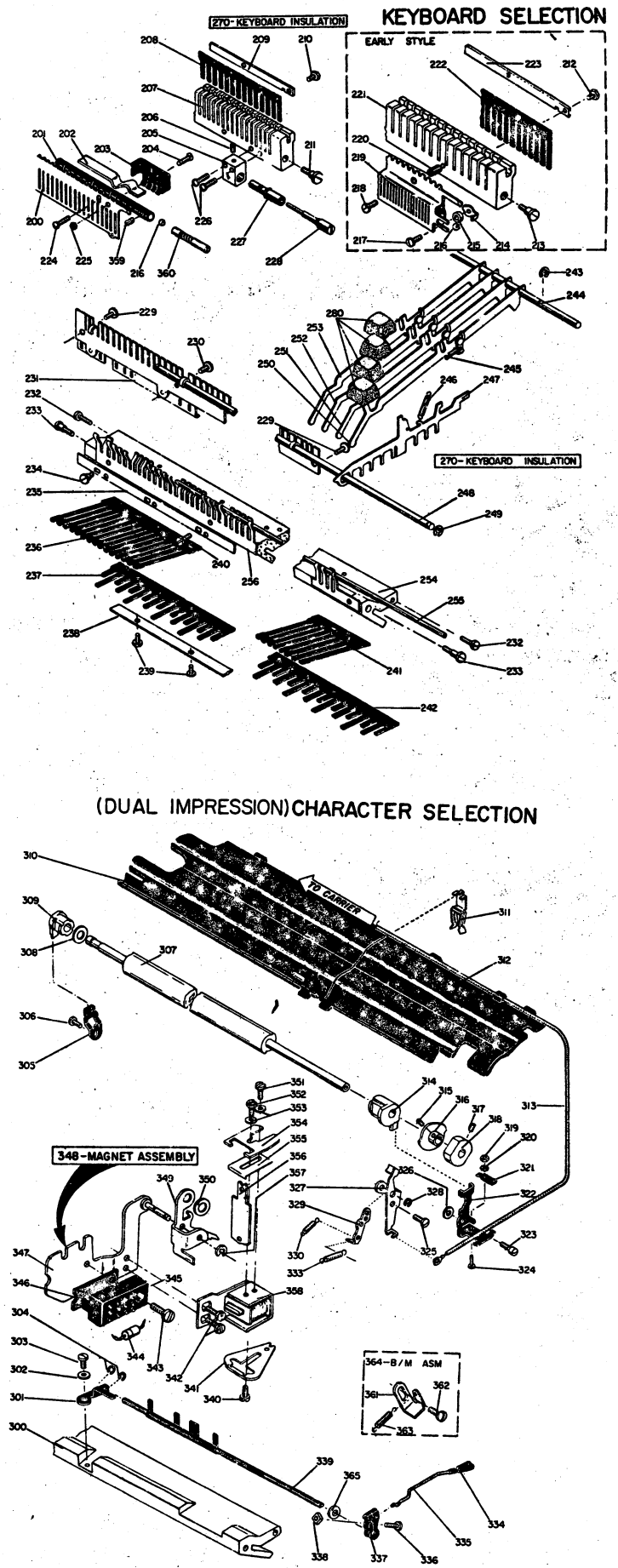
REF. PART NO.	DESCRIPTION
111	1123714 STUD, ROTATE LINK
112	219633 C-CLIP, ROTATE
113	1123713 CLEVIS, ROTATE LH
114	6503 NUT, ROTATE LINK
115	1128090 LINK, ROTATE 15"
116	1123721 LINK, ROTATE 11"
117	1123712 CLEVIS, ROTATE RH
118	1133617 LINK, ROTATE SHORT
119	1164045 LINK, ROTATE SHORT-HEAVY
120	1135028 LATCH ASM, TILT
121	6503 NUT, ROTATE LINK
122	1123741 SCREW, ROTATE LEVER
123	1123722 STUD, ROTATE ARM
124	1133618 NUT, ADJUSTING
125	1135029 LATCH ASM, ROTATE
126	332747 C-CLIP, ROTATE BELLCRANK
127	1133619 NUT, ROTATE LINK
128	1133616 LINK, ROTATE LONG 11"
129	1164047 LINK, 11" HEAVY
130	1134853 LINK, RIGHT LONG 15"
131	1164048 LINK, RIGHT LONG 15"
132	1133615 HEAVY STYLE
133	1123714 STUD, ROTATE LINK
134	1164089 SCREW, ROTATE LINK
135	1116023 WASHER, SELECTOR BAIL
136	1134837 SPRING, LATCH BAIL
137	1135296 SCREW, BAIL PLATE
138	1123725 STUD, NEGATIVE 5 LINK
139	1123724 LINK, NEGATIVE 5
140	1073418 C-CLIP, NEGATIVE 5 LINK
141	1123779 SCREW, NEGATIVE 5 STOP
142	1159157 BAIL ASM, NEGATIVE 5
143	38051 NUT, NEGATIVE 5 STOP PAD
144	1123715 STUD, NEGATIVE 5 LINK
145	37913 NUT, BAIL PLATE RM
146	1159898 SHAFT, SELECTOR BAIL
147	BELOW SN 4020950 ORDER PN 114112 AND 1123687
148	38351 SCREW, BAIL SHAFT
149	1128086 RETAINER, BAIL SHAFT
150	1127764 GUIDE, LINK TAB
151	38214 NUT, BAIL PLATE LH
152	332747 C-CLIP, BAIL SHAFT
153	1159341 BAIL
154	1124622 BRACKET GUIDE
155	1159790 ARM, PIVOT
156	1159787 SPRING
157	103372 NUT, ELASTIC STOP
158	1166560 WICK, OIL
159	1123714 STUD, ROTATE LINK
160	1123721 LINK, ROTATE 11"
161	1123712 CLEVIS, ROTATE RH
162	1133617 LINK, ROTATE SHORT
163	1164045 LINK, ROTATE SHORT-HEAVY
164	1135028 LATCH ASM, TILT
165	6503 NUT, ROTATE LINK
166	1123741 SCREW, ROTATE LEVER
167	1123722 STUD, ROTATE ARM
168	1133618 NUT, ADJUSTING
169	1135029 LATCH ASM, ROTATE
170	332747 C-CLIP, ROTATE BELLCRANK
171	1133619 NUT, ROTATE LINK
172	1133616 LINK, ROTATE LONG 11"
173	1164047 LINK, 11" HEAVY
174	1134853 LINK, RIGHT LONG 15"
175	1164048 LINK, RIGHT LONG 15"
176	1133615 HEAVY STYLE
177	1123714 STUD, ROTATE LINK
178	1164089 SCREW, ROTATE LINK
179	1116023 WASHER, SELECTOR BAIL
180	1134837 SPRING, LATCH BAIL
181	1135296 SCREW, BAIL PLATE
182	1123725 STUD, NEGATIVE 5 LINK
183	1123724 LINK, NEGATIVE 5
184	1073418 C-CLIP, NEGATIVE 5 LINK
185	1123779 SCREW, NEGATIVE 5 STOP
186	1159157 BAIL ASM, NEGATIVE 5
187	38051 NUT, NEGATIVE 5 STOP PAD
188	1123715 STUD, NEGATIVE 5 LINK
189	37913 NUT, BAIL PLATE RM
190	1159898 SHAFT, SELECTOR BAIL
191	BELOW SN 4020950 ORDER PN 114112 AND 1123687
192	38351 SCREW, BAIL SHAFT
193	1128086 RETAINER, BAIL SHAFT
194	1127764 GUIDE, LINK TAB
195	38214 NUT, BAIL PLATE LH
196	332747 C-CLIP, BAIL SHAFT
197	1159341 BAIL
198	1124622 BRACKET GUIDE
199	1159790 ARM, PIVOT
200	1159787 SPRING
201	103372 NUT, ELASTIC STOP
202	1166560 WICK, OIL
203	1123714 STUD, ROTATE LINK
204	1123721 LINK, ROTATE 11"
205	1123712 CLEVIS, ROTATE RH
206	1133617 LINK, ROTATE SHORT
207	1164045 LINK, ROTATE SHORT-HEAVY
208	1135028 LATCH ASM, TILT
209	6503 NUT, ROTATE LINK
210	1123741 SCREW, ROTATE LEVER
211	1123722 STUD, ROTATE ARM
212	1133618 NUT, ADJUSTING
213	1135029 LATCH ASM, ROTATE
214	332747 C-CLIP, ROTATE BELLCRANK
215	1133619 NUT, ROTATE LINK
216	1133616 LINK, ROTATE LONG 11"
217	1164047 LINK, 11" HEAVY
218	1134853 LINK, RIGHT LONG 15"
219	1164048 LINK, RIGHT LONG 15"
220	1133615 HEAVY STYLE
221	1123714 STUD, ROTATE LINK
222	1164089 SCREW, ROTATE LINK
223	1116023 WASHER, SELECTOR BAIL
224	1134837 SPRING, LATCH BAIL
225	1135296 SCREW, BAIL PLATE
226	1123725 STUD, NEGATIVE 5 LINK
227	1123724 LINK, NEGATIVE 5
228	1073418 C-CLIP, NEGATIVE 5 LINK
229	1123779 SCREW, NEGATIVE 5 STOP
230	1159157 BAIL ASM, NEGATIVE 5
231	38051 NUT, NEGATIVE 5 STOP PAD
232	1123715 STUD, NEGATIVE 5 LINK
233	37913 NUT, BAIL PLATE RM
234	1159898 SHAFT, SELECTOR BAIL
235	BELOW SN 4020950 ORDER PN 114112 AND 1123687
236	38351 SCREW, BAIL SHAFT
237	1128086 RETAINER, BAIL SHAFT
238	1127764 GUIDE, LINK TAB
239	38214 NUT, BAIL PLATE LH
240	332747 C-CLIP, BAIL SHAFT
241	1159341 BAIL
242	1124622 BRACKET GUIDE
243	1159790 ARM, PIVOT
244	1159787 SPRING
245	103372 NUT, ELASTIC STOP
246	1166560 WICK, OIL





REF. PART NO.	DESCRIPTION	REF. PART NO.	DESCRIPTION
1	1117759 SCREW, BAIL PLATE	100	43373 SPRING, PAWL LINK
2	1135097 PLATE, BAIL LH	101	1164576 SCREW, BRKT
3	1132150 SCREW, DAMPER	102	1141379 INTERPOSER POS 1
4	1134784 SPACER, DAMPER	103	1135605 INTERPOSER, CHECK LATCH
5	219435 C-CLIP, DAMPER	104	1141378 INTERPOSER POS 3
6	1123921 BAIL, SELECTION	105	1141376 INTERPOSER POS 4
7	1100523 SCREW, GEAR FILTER	106	1141374 INTERPOSER POS 5
8	1128095 GEAR, FILTER SHAFT	107	1141375 INTERPOSER POS 6
9	322550 SCREW, FILTER SHAFT	108	1141377 INTERPOSER POS 7
10	USE ON MACHINES BELOW 4074800	109	1141383 SPRING, INTERPOSER
11	1141180 SCREW, FILTER SHAFT	110	1141382 BRKT, LATCH INTERPOSER GUIDE
12	1141181 SPACER, FILTER SHAFT	111	1164576 SCREW, INTERPOSER BRKT MTG
13	USE ON MACHINES ABOVE 4074800	112	1141894 RETAINER LH
14	1123677 BEARING, FILTER SHAFT	113	1141890 SPACER
15	* 1141663 BEARING	114	1159662 RETAINER, RH 11"
16	* 1141646 SHAFT, FILTER	114	1141895 RETAINER, RH 15"
17	*USED WITH IMP CONTROL C&R		ALSO 767 ABOVE SN 4613877
18	1123681 SHAFT, FILTER	115	1164577 SCREW
19	1138810 SHAFT, FILTER	116	1141651 RETAINER, RH
20	1070020 CLEVIS, CHECK LINK	117	1164577 SCREW
21	1128573 LINK, CHECK LATCH INTERPOSER	120	1073449 SPRING, INHIBITOR
22	1071691 SPRING, LATCH LINK	121	1159171 LEVER, INHIBITOR
23	1133586 LINK, NEGATIVE 5 LATCH	122	1073418 C-CLIP
24	1131688 LINK, LATCH	123	1128632 LINK, CYCLE CLUTCH LATCH
25	1070020 CLEVIS, PIN LATCH LINK	124	1159185 SCREW, CYCLE CLUTCH LEVER
26	1128636 STOP LATCH INTERPOSER	125	1159182 LEVER, INHIBITOR TRIP
27	303550 BRACKET, SPRING	126	1159173 LEVER, CYCLE CLUTCH
28	303550 SCREW, STOP MTG	127	1100951 SCREW, INHIBITOR TRIP LEVER
29	1133670 SPRING, INTERPOSER	128	1124247 SPACER
30	1134768 DAMPER, CYCLE BAIL	131	1130529 CLEVIS
31	1123556 BAIL, CYCLE CLUTCH	132	1144923 ACTUATOR
32	1134831 SPRING, DAMPER	133	1090341 SPRING
33	1128866 PLATE, BAIL RH	134	186924 SCREW
34	1132149 SCREW, BAIL PLATE	135	37913 NUT
35	1135098 BAIL, CHECK	136	1145364 LINK
36	REFERENCE ONLY USE PN 1135096 AND 1135097	137	469565 C-CLIP
37	1133579 STOP, INTERPOSER BAIL	138	56722 WASHER
38	1128866 PLATE, BAIL LH EARLY		USED ON MACHINES ABOVE SN 460214
39	1123792 INTERPOSER, POS 1	139	1272132 B/M INHIBITOR MECHANISM
40	1128873 INTERPOSER, CHECK LATCH	152	1128327 SPRING
41	46831 SPRING, CHECK LATCH INTERPOSER	153	1272730 B/M PRINT TO SPACE INTLK PLATE, SHIFT BAIL
42	1123791 INTERPOSER, POS 3	154	1164601 PAWL, INTERLOCK
43	1123789 INTERPOSER, POS 4	155	1164601 PAWL, INTERLOCK
44	1123787 INTERPOSER, POS 5	156	2650 SCREW, INTERLOCK
45	1123788 INTERPOSER, POS 6		
46	1123790 INTERPOSER, POS 7		
47	251989 C-CLIP, RESTORING CAM		
48	1138391 ROLLER, RESTORING CAM		
49	1138390 STUD, RESTORING CAM		
50	1132211 WASHER, RESTORING CAM ST		
51	1166303 BRKT, CYCLE CLUTCH LATCH		
52	37913 NUT, RESTORING CAM STUD		
53	1073418 C-CLIP, LATCH LINK		
54	* 1135130 SCREW, PIVOT		
55	* 1090343 SPRING, LATCH LEVER		
56	* 1117759 SCREW, BRKT MTG		
57	* 1144376 SPRING, CYCLE CLUTCH LATCH		
58	* 1135127 ANCHOR, SPRING		
59	* 1135130 SCREW, PIVOT		
60	* 1135129 LEVER, LATCH		
61	* 1000223 LINK, CYCLE CLUTCH TRIP		
62	* 1070020 CLEVIS PIN SMALL		
63	FOR LATE STYLE REF 52 AND 53 SEE CODE 507		
64	* 1135125 BRACKET, CYCLE CLUTCH TRIP		
65	* 257187 NUT, BRKT MTG		
66	* 1135128 STOP, LATCH		
67	* 265195 SCREW, STOP MTG		
68	* 43373 SPRING, TRIP LEVER		
69	* 37913 NUT, BRKT MTG		
70	338238 SCREW, BRKT MTG		
71	* 1138384 RETAINER, INTERPOSER BAIL		
72	* 1128598 SPACER, TRIP BRACKET		
73	NOT AVAILABLE USE REF 126		
74	ON MACHINES WITH OLD STYLE CYCLE CLUTCH TRIP MECHANISM ASSEMBLY 1135122 MUST BE USED TO MAKE THE CONVERSION		
75	1132240 BAIL, INTERLOCK 11"		
76	1166594 BAIL, INTERLOCK 15"		
77	2650 SCREW, INTERLOCK		
78	1134812 LEVER, INTERLOCK		
79	1134813 SPRING, PAWL INTERLOCK		
80	1123827 SPRING, LATCH PAWL		
81	1128632 PAWL AND LINK ASSEMBLY		
82	1138369 SCREW, BAIL PLATE		
83	265195 SCREW, REAR ONLY		
84	USED ON MACHINES ABOVE SN 460214		
85	1132241 PAWL, INTERLOCK		
86	1164601 PAWL, INTERLOCK		
87	ABOVE SN 4620276		
88	236550 SCREW, BAIL PLATE		
89	1134867 SPACER, INTERLOCK		
90	37913 NUT, SCREW BAIL PLATE		
91	45639 WASHER, BAIL PLATE		
92	1134767 STOP, CYCLE BAIL		
93	1132242 PLATE, INTERLOCK BAIL		
94	1132242 PLATE, INTERLOCK BAIL		
95	ABOVE SN 4620276		
96	1073418 C-CLIP		
97	USED ON MACHINES BELOW 4009650		
98	1138368 SCREW, LATCH BRKT		
99	1164576 SCREW, BAIL BRKT		
100	1127733 SCREW, BAIL BRKT		
101	* 1123687 BRKT ASM BAIL		
102	1090343 SPRING, RESTORING		
103	* 1141129 PLATE, BAIL		
104	*MACHINES BELOW 402950 REQUIRE REPLACEMENT REF 82; 84 AND BAIL SHAFT 1159898 IF 82 OR 84 IS REPLACED		
105	219633 C-CLIP		
106	1127791 BRKT, CYCLE LATCH		
107	1128633 LATCH, CYCLE CLUTCH		
108	1123688 SHAFT, CYCLE LATCH		
109	219633 C-CLIP, LATCH SHAFT		
110	37913 NUT, RESTORING SCREW		
111	219633 C-CLIP, RESTORING		
112	1127787 FOLLOWER LATCH		
113	1127790 LEVER, LATCH RESTORING		
114	1164582 SCREW, LATCH RESTORING		
115	1073418 C-CLIP, LATCH LINK		
116	1134887 KEEPER ASSEMBLY		
117	1139493 BRKT, CYCLE CLUTCH KEEPER		
118	1164582 SCREW, PAWL STOP MTG		
119	1132154 BRKT, SPRING		
120	USED ON MACHINES BELOW 4006600		

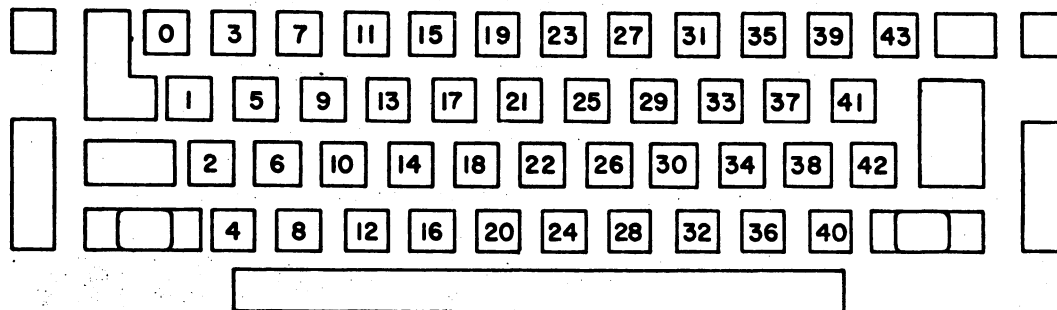
REF. PART NO.	DESCRIPTION	REF. PART NO.	DESCRIPTION
200	1134987 PLATE ASM, INTERPOSER GUIDE	342	1117759 SCREW, MTG
201	1132186 TUBE COMPENSATOR	343	438549 SCREW
202	1134981 SPACER, COMPENSATOR TUBE	344	1135573 DIODE
203	1134980 CLAMP, COMPENSATOR TUBE	345	317767 BLOCK, TERMINAL
204	438558 SCREW, TUBE CLAMP	346	317766 INSULATOR, TERMINAL
205	1134990 PLATE, BALL ADJUSTING	347	1159893 BRKT, MTG
206	257858 SCREW, ADJUSTING PLATE	348	1159894 MAGNET ASSEMBLY
207	1135495 SUPPORT, FULCRUM	349	1159891 LATCH, LOW VELOCITY
208	1124430 SPRING, LATCH INTERPOSER	350	1090630 WASHER
209	1124433 PLATE, INTERPOSER SPRING	351	1164578 SCREW
210	1128382 SCREW, LATCH SPRING	352	1127785 SCREW
211	1134986 SCREW, SUPPORT MTG	353	355341 WASHER
212	1128382 SCREW, LATCH SPRING	354	1128966 BACKSTOP, ARMATURE
213	1124732 SCREW, SUPPORT RH	355	1128965 RESIDUAL ARMATURE
214	1134820 STOP, COMB BALL	356	1128969 ARMATURE
215	1134821 SPACER, BALL STOP	357	264641 RETAINER
216	1124682 BALL COMPENSATOR	358	1128964 MAGNET ASSEMBLY
217	1164580 SCREW, BALL STOP	361	1159450 BRKT, LOW VELOCITY
218	438550 SCREW, COMPENSATOR TAG	362	38346 SCREW, BRKT MTG
219	1133614 COMPENSATOR ASM	363	1073863 SPRING
220	1133649 SPACER, COMPENSATOR	364	1272709 B/H LOW VELOCITY BELL-CRANK
221	1123956 SUPPORT, FULCRUM	365	1164652 SPACER
222	1124430 SPRING, LATCH INTERPOSER		
223	1124433 PLATE, INTERPOSER SPRING		
224	1164583 SCREW, COMPENSATOR MTG		
225	38214 NUT, TUBE CLAMP		
226	1164583 SCREW, BALL ADJUSTING PLATE		
227	1134991 TUBE, BALL ADJUSTING RH		
227	1134992 TUBE, BALL ADJUSTING LH		
228	1141157 PLUNGER, RH BALL		
228	1141168 PLUNGER, LH BALL		
PARTS USED WITH NEW STYLE SELECTOR COMPENSATOR ABOVE 401340			
229	1164579 SCREW, GUIDE INTERPOSER		
230	1117759 SCREW, GUIDE INTERPOSER		
231	1132191 GUIDE COMB INTERPOSER		
232	1164576 SCREW, SUPPORT MTG		
233	1124411 SCREW, KEYLEVER GUIDE		
234	1164576 SCREW, GUIDE COMB		
235	1128293 DOWNSTOP, KEYLEVER		
236	1133647 SPRING, KEYLEVER LH		
237	1133682 COMB, KEYLEVER LH		
238	1133679 PLATE, KEYLEVER SPRING		
239	1164579 SCREW, SPRING MTG		
240	1164576 SCREW, GUIDE COMB		
241	1133654 SPRING, KEYLEVER RH		
242	1133683 COMB, KEYLEVER RH		
243	264641 C-CLIP, FULCRUM		
244	1132166 ROD, KEYLEVER FULCRUM		
245	1132165 SPRING, PAWL		
246	1141266 SPRING ROW 1 & 2		
246	1141267 SPRING, ROW 3 & 4		
247	1138900 INTERPOSER, SELECTOR USE WITH SHORT PAWL KEYLEVER. ALSO ORDER APPROPRIATE SPRING REF 246 REMOVE UNDESIRE PROJECTIONS ON INTERPOSERS		
247	1128409 INTERPOSER, SELECTOR USE WITH LONG PAWL KEYLEVER.		
248	1123963 ROD, FULCRUM		
249	1092125 C-CLIP, FULCRUM		
250	1123950 KEYLEVER ASSEMBLY, 4TH		
250	1134892 KEYLEVER ASSEMBLY, 4TH		
251	1123949 KEYLEVER ASSEMBLY, 3RD		
251	1134893 KEYLEVER ASSEMBLY, 3RD		
252	1123948 KEYLEVER ASSEMBLY, 2ND		
252	1134894 KEYLEVER ASSEMBLY, 2ND		
253	1123947 KEYLEVER ASSEMBLY, 1ST		
253	1134895 KEYLEVER ASSEMBLY, 1ST		
*SHORT PAWL, USED ON 11" BELOW 4013400 AND ABOVE 4037900.			
*LONG PAWL, USED ON 11" BETWEEN 4013400 AND 4037900.			
254	1128895 SUPPORT, GUIDE COMB		
255	1133633 STOP, KEYLEVER		
256	1123968 COMB, KEYLEVER GUIDE		
270	1133637 INSULATION, KEYBOARD		
280	KEYBUTTONS - SEE CHART		
300	1123969 SUPPORT, GUIDE COMB		
301	1141666 BRACKET, VANE MTG		
302	56722 WASHER		
303	1117759 SCREW, VANE MTG BRACKET		
304	219633 RETAINER		
305	1141894 RETAINER BEARING LH		
306	1164577 SCREW		
307	1141646 SHAFT, FILTER (DUAL IMPRESSION)		
308	1128144 SPACER, FILTER SHAFT		
309	1141663 BEARING		
310	1141642 SHIELD, LH 11"		
310	1141649 SHIELD, LH 15"		
311	1141761 CLIP, CABLE CENTER		
312	1141643 SHIELD, RH 11"		
312	* 1159847 SHIELD, RH 15"		
312	1141645 SHIELD, RH 15"		
312	* 1159936 SHIELD, RH 15"		
*USED WITH PERMISSIVE MAKE CONT			
313	1141763 CABLE, 11"		
313	1141765 CABLE, 15"		
314	1141663 BEARING		
315	257957 SCREW		
316	1141655 CAM, LOW VELOCITY SHIFT		
317	1164578 SCREW		
318	1141782 CAM, SHIFT INTERLOCK		
319	47987 NUT		
320	385809 LOCKWASHER		
321	1141805 CLAMP, CABLE		
322	1141651 BRKT, CABLE ANCHOR		
322	1164394 BRKT, CABLE ANCHOR 731		
323	1164577 SCREW		
324	1141771 SCREW, CABLE ANCHOR		
325	1115735 SCREW, FOLLOWER STOP		
326	1141890 WASHER		
327	1141780 FOLLOWER, LOW VELOCITY		
328	1073418 RETAINER		
329	1141652 STOP, CAM FOLLOWER ADJUSTING		
330	1071687 SPRING, LOW VELOCITY LATCH		
333	1141650 SPRING, LOW VELOCITY FOLLOWER		
334	1070020 CLEVIS		
335	1141647 LINK, LOW VELOCITY		
336	38566 SCREW		
337	1141835 BELLCRANK, LOW VELOCITY		
338	602229 NUT		
339	1141836 VANE, LOW VELOCITY		
340	1164578 SCREW		
341	1128967 PLATE, PIVOT		



CODE - 503

AUG. 15, 1966

# KEYBUTTONS



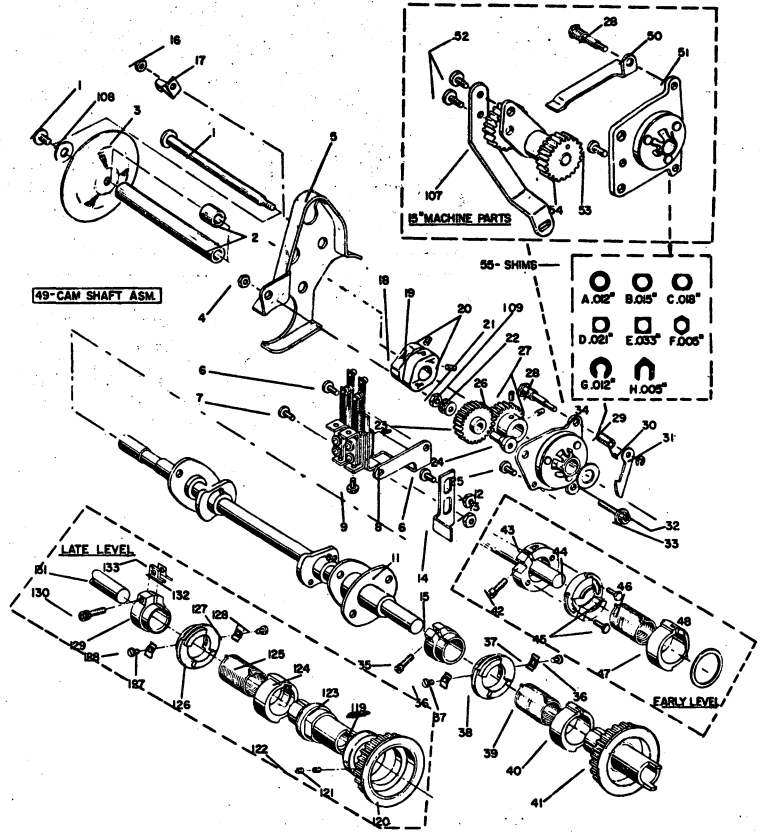
NOTE: NUMBERS INSIDE KEYBUTTON OUTLINE ARE KEYBOARD POSITIONS

REF 280, ALPHA-NUMERIC KEYBUTTONS			
NOTE: DETERMINE KEYBOARD POSITION FOR WHICH KEYBUTTON IS REQUIRED (SEE KEYBOARD DRAWING, THIS PAGE). LOCATE KEYBUTTON PART NUMBER BY MODEL AND TYPE HEAD CODE. THE TYPE HEAD CODE IS LOCATED ON TOP OF THE HEAD, UNDER THE CLIP SPRING			
MODEL	ET	ET	
HEAD CODE	CORR 850	BCD 908	
KEYBOARD POSITIONS	0	1124896	1133262
	1	1124956	1133434
	2	1127611	1133285
	3	1124897	1133263
	4	1127661	1133446
	5	1124957	1133328
	6	1127612	1133286
	7	1124898	1133264
	8	1127662	1133447
	9	1124958	1133329
	10	1127613	1133335
	11	1124899	1133425
	12	1127663	1133298
	13	1124959	1133435
	14	1127614	1133336
	15	1124900	1133426
	16	1127664	1133343
	17	1124960	1133278
	18	1127615	1133828
	19	1124901	1133427
	20	1127665	1133300
	21	1124961	1133436
	22	1127616	1133443
	23	1124902	1133428
	24	1127666	1133344
	25	1124962	1133437
	26	1127617	1133291
	27	1124903	1133429
	28	1127667	1133448
	29	1124963	1133438
	30	1127618	1133292
	31	1124904	1133430
	32	1127668	1133494
	33	1124964	1133439
	34	1127619	1133293
	35	1124905	1133431
	36	1127669	1133449
	37	1124965	1133827
	38	1127620	1133444
	39	1124906	1133432
	40	1127670	1133305
	41	1124966	1133860
	42	1127671	1133445
43	1124907	1133433	

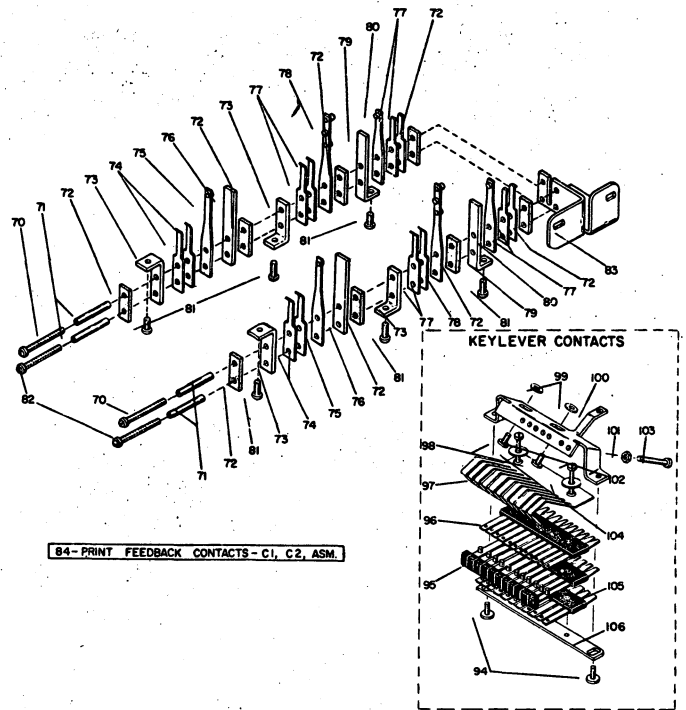
REF. PART NO.	DESCRIPTION
1	1159994 SCREW, SHORT
1	1159995 SCREW, LONG
2	1159996 EXTENSION SHAFT, 15"
2	1159998 EXTENSION SHAFT, 11"
3	1159993 DIAL, TIMING
4	1134842 NUT, GEAR GUARD
5	1135076 GUARD, GEAR
6	438549 SCREW, BRKT MTG
7	1164580 SCREW, BRKT MTG
7	1138539 SCREW, RED RIBBON, 11"
8	1128830 CONTACT ASSEMBLY
9	118418 SCREW, TERMINAL
11	1128550 CAM SHAFT
12	37913 NUT, BAIL STOP BRKT
13	38051 NUT, BAIL STOP BRKT
14	1135079 STOP, SELECTOR BAIL
15	1135583 COLLAR, CYCLE CLUTCH
MACHINES BELOW 4601717 MUST REPLACE REF 39 ALSO	
16	257187 NUT, POINTER MTG
17	1135099 POINTER, DIAL
18mm	1135058 CAM, 45 DEG BLUE
18mm	1128838 CAM, 65 DEG BLACK
19mm	1128839 CAM, 90 DEG WHITE
19mm	1128999 CAM, 110 DEG ORANGE
CHECK TIMING REQUIREMENTS	
20	1128837 SCREW, CAM FEEDBACK
21	38051 NUT, IDLER GEAR MTG
22	1134843 WASHER, IDLER GEAR
23	1123683 GEAR, LOWER IDLER
24	1159097 BUSHING, LOWER IDLER
25	1164577 SCREW, REAR 11"
25	1141097 SCREW, FRONT 11"
26	1123685 GEAR, CYCLE CAM SHAFT
27	1100523 SCREW, CAM SHAFT GEAR
28	1166311 STUD, CHECK PAWL
29	1166598 SPRING, CHECK PAWL
30	1166315 PAWL, CYCLE SHAFT CHECK
ON MACH BELOW SN 4620572 REPL OF ANY PART WILL REQUIRE ALL THREE	
31	219633 C-CLUTCH PAWL
32	1127730 WASHER, CYCLE CAM SHAFT
33	1134841 SCREW, IDLER GEAR MTG
34	1123641 BEARING ASSEMBLY
35	357820 SCREW, CYCLE CLUTCH COLLAR
36	1138393 SCREW, RESTORE CAM
37	1138392 CLAMP, RESTORE CAM
38	1135995 CAM, CYCLE CLUTCH RESTORE
39	1135576 SPRING, CYCLE CLUTCH
ON MACH BELOW 4601717 MUST REPLACE REF 15 ALSO	
40	1138398 SLEEVE, CYCLE CLUTCH
PARTS USED WITH CYCLE CLUTCH RESTORING MECHANISM ON MACHINES ABOVE 4020951	
41	1135619 HUB & PULLEY ASSEMBLY
SEPARATE HUB AND PULLEY NOT AVAILABLE. ON MACHINES PRIOR TO 4024316, COUNTERSINK REAR OF ROTATE BELLCRANK PIVOT HOLE WITH 5/16 IN DRILL BY HAND	
ON MACHINES PRIOR TO 4070000, REPLACE THE SLEEVE AND COLLAR WHEN IT IS NECESSARY TO REPLACE EITHER THE HUB & PULLEY OR SLEEVE	
42	357820 SCREW, CYCLE CLUTCH COLLAR
43	1123652 COLLAR, CYCLE CLUTCH
43	1135583 COLLAR, CYCLE CLUTCH
USED ABOVE SN 4601717	
44	1127712 STOP, CYCLE CLUTCH
45	1127714 SCREW, CYCLE CLUTCH STOP
46	1133502 SPRING, CYCLE CLUTCH
47	1123769 SLEEVE, CYCLE CLUTCH
48	1141086 WASHER, NYLON
49	1266830 CAM SHAFT ASSEMBLY
BELOW SN 4646661 ORDER PN 127267	
B/M INDEX DIAL 731 PN 1272679	
B/M INDEX DIAL 735	
50	1128259 GUARD, GEAR 15"
51	1123641 BEARING, ASSEMBLY 15"
52	1128356 SCREW, IDLER
-NO WASHER REQUIRED-	
52	1072454 SCREW, RED RIBBON
53	35739 SCREW, REAR 15"
53	322551 SCREW, FRONT 15"
54	1128062 IDLER ASSEMBLY 15"
55	1127753 SHIM, CYCLE SHAFT A
55	1127754 SHIM, CYCLE SHAFT B
55	1127755 SHIM, CYCLE SHAFT C
55	1127756 SHIM, CYCLE SHAFT D
55	1127757 SHIM, CYCLE SHAFT E
55	1128071 SHIM, CYCLE SHAFT F
55	1280821 SHIM, CYCLE SHAFT G
55	1280822 SHIM, CYCLE SHAFT H
70	173207 SCREW - LONG -
71	105052 INSULATOR
72	37435 PLATE, INSULATOR
73	1128832 TERMINAL
74	1135467 BACKUP, CONTACT
75	1128745 CONTACT
76	326119 SUPPORT, CONTACT
77	1135468 BACKUP, CONTACT
78	1128834 STRAP
79	1128833 TERMINAL
80	1128746 CONTACT
81	118418 SCREW, TERMINAL
82	173205 SCREW - SHORT -
83	1128831 BRACKET, CONTACT
84	1128830 ASSEMBLY
94	1164027 SCREW, BRKT MTG
95	1135175 CONTACT ASSEMBLY O/S
96	1135177 CONTACT ASSEMBLY
97	1135178 SPRING, CONTACT ACTUATING
98	1164577 SCREW, ASM MTG
99	1074145 SPACER, BRACKET
100	1135179 BRKT, CONTACT ASM MTG
101	1127763 NUT, KEYLEVER STOP SCREW
102	1090933 SCREW, CONTACT MTG
103	438546 SCREW, LOCKOUT, LONG
103	52359 SCREW, DOWNSTOP
104	1090630 WASHER
105	1135177 CONTACT ASSEMBLY
106	1135180 BRKT, CONTROL MTG
107	1159775 BRKT, RED RIBBON
SHIFT MAGNET MOUNTING	
108	1090254 WASHER
109	56722 STARWASHER
119	1166339 SHOCK HUB
120	1166228 PULLEY
121	1166341 SCREW, SET
122	1166342 SCREW, LOCKING

REF. PART NO.	DESCRIPTION
123	1166575 HUB, CYCLE CLUTCH
124	1166553 SLEEVE, CYCLE CLUTCH
125	1166551 SPRING, CLUTCH
126	1135995 CAM, CYCLE CLUTCH RESTORE
127	1138392 CLAMP, RESTORE CAM
128	1138393 SCREW, RESTORE CAM
129	1135383 COLLAR, CYCLE CLUTCH
130	357820 SCREW, COLLAR
131	1166554 SHAFT, SELECTOR CAM
132	1166558 INSERT COLLAR .060
133	1166364 INSERT COLLAR .010

CHARACTER SELECTION CAMSHAFT ASSEMBLY



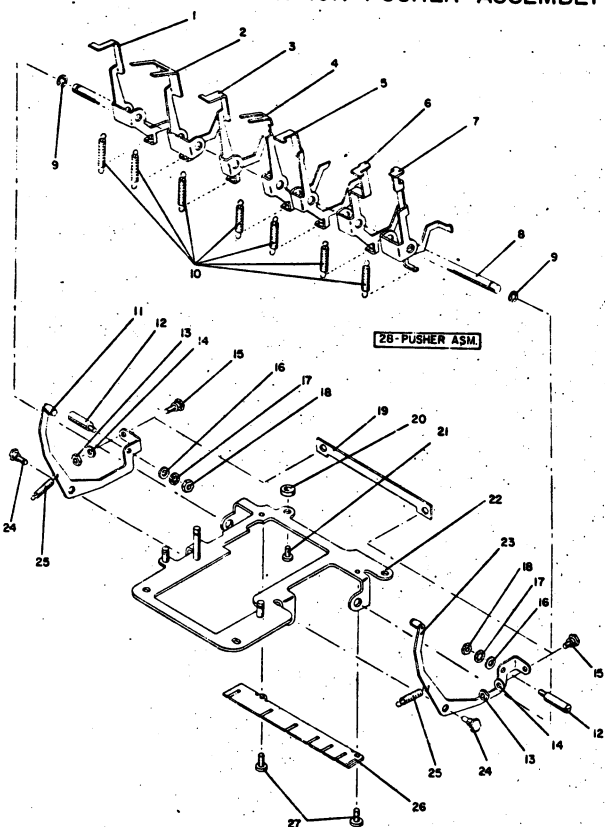
PRINT FEED BACK & LEVER CONTACTS



CODE - 504

AUG. 15, 1966

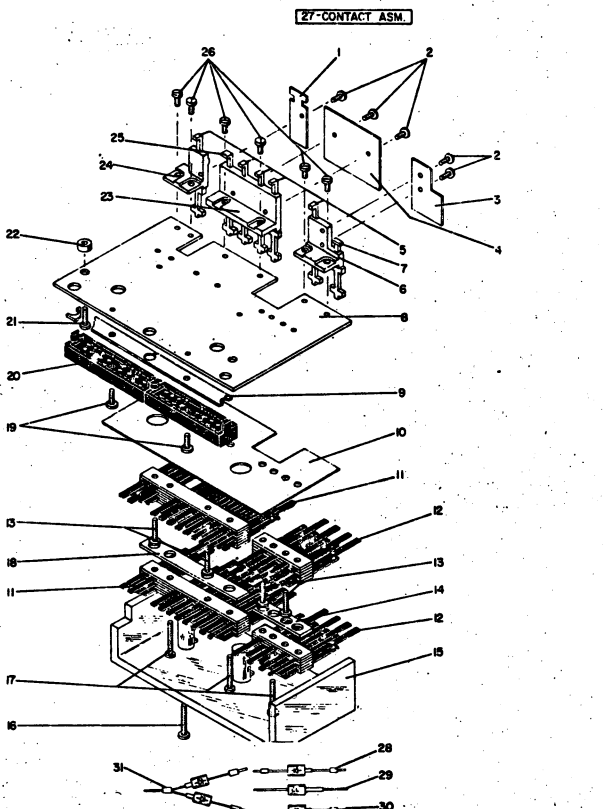
SELECTION PUSHER ASSEMBLY



REF. PART NO.	DESCRIPTION
1	1128605 PUSHER LATCH T2
2	1128606 PUSHER LATCH CK
3	1128607 PUSHER LATCH T1
4	1128608 PUSHER LATCH R2A
5	1128609 PUSHER LATCH R1
6	1128610 PUSHER LATCH R2
7	1128611 PUSHER LATCH R5
8	1128624 ROD, PUSHER LATCH
9	1092125 RETAINER
10	1090162 SPRING PUSHER
11	1128616 CAM FOLLOWER ASSEMBLY LH
12	1128626 ECCENTRIC KO
13	47987 NUT
14	358509 WASHER
15	1128627 SCREW, CAM ADJUSTING
16	1135052 SPACER
17	150209 WASHER, LOCK
18	37913 NUT
19	1128625 BAIL PUSHER
20	1128598 SPACER, MAGNET ASM
21	1164577 SCREW
22	1128613 PLATE, ASM PUSHER
23	1128622 CAM FOLLOWER ASM RH
24	1159155 SCREW, CAM FOLLOWER
MACHINES BELOW 4608000 ORDER REF 11 AND/OR 23 ALSO	
25	10514 SPRING, CAM FOLLOWER
26	1128623 GUIDE PUSHER
27	38259 SCREW, GUIDE PUSHER
28	1128604 PUSHER ASSEMBLY R/M
28	1166054 PUSHER ASSEMBLY ABOVE SN 4616461

REF. PART NO.	DESCRIPTION
CODE - 505	

SELECTION CONTACT ASSEMBLY

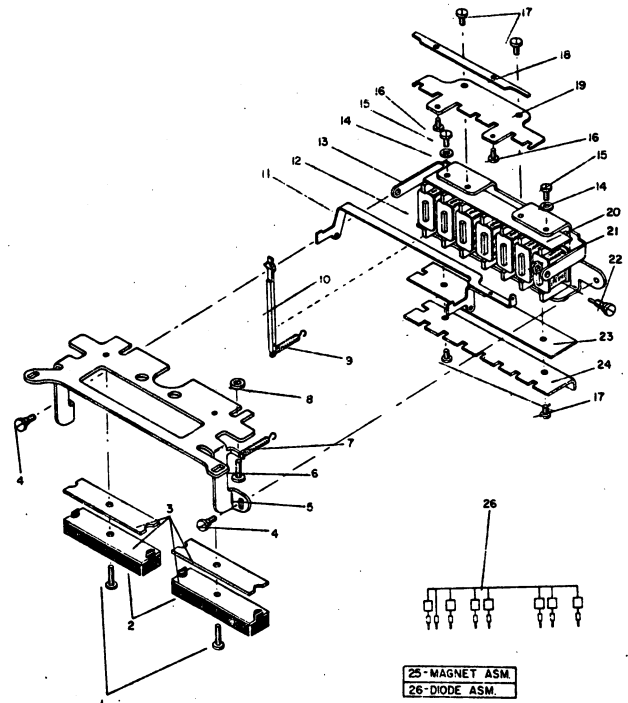


REF. PART NO.	DESCRIPTION
1	1128824 PLATE, ACTUATOR LH
2	1856 SCREW, ACTUATOR RETAINING PLATE
3	1128826 PLATE, ACTUATOR RH
4	1128825 PLATE, ACTUATOR, CENTER
5	1128817 ACTUATOR, CONTACT
ON MACHINES BELOW 4081584, REPLACE CORRESPONDING ACTUATOR PLATE	
6	1128822 GUIDE, CONTACT ACTUATOR RH
7	1128819 ACTUATOR, 5 UNIT
8	1128829 PLATE, CONTROL ASM MTG
9	302131 INSULATOR, TERMINAL BLOCK
10	1128827 INSULATOR, CONTACT
11	1128795 CONTACT STRAP UPPER LH
11	1128798 CONTACT STRAP CENTER LH
11	1128803 CONTACT STRAP LOWER LH
12	1128806 CONTACT STRAP UPPER RH
12	1128809 CONTACT STRAP CENTER RH
12	1128812 CONTACT STRAP LOWER RH
13	438550 SCREW, CONTACT MTG
14	1128816 SPACER, CONTACT RH
15	1128823 COVER, CONTACT ASM
ON MACHINES BELOW 4086527, REF 1 MUST ALSO BE REPLACED.	
16	45183 SCREW, CONTACT COVER
17	438554 SCREW, CONTACT MTG
18	1128815 SPACER, CONTACT LH
19	236550 SCREW, TERMINAL BLOCK MTG
20	302090 BLOCK, TERMINAL
21	38353 SCREW, CONTACT ASM MTG
22	1128828 SPACER, CONTACT PLATE
23	1128821 GUIDE, CONTACT ACTUATOR CENTER
24	1128820 GUIDE, CONTACT ACTUATOR LH
25	1128818 ACTUATOR, CHECK CONTACT
26	1164582 SCREW, ACTUATOR GUIDE
CONTACT ASSEMBLY-COMPLETE	
27	1135283 11" AND 15" BCD
27	1135286 11" AND 15" CORR
27	1159357 775
28	1135573 DIODE
29	369125 DIODE
30	1135513 DIODE
31	1135643 DIODE

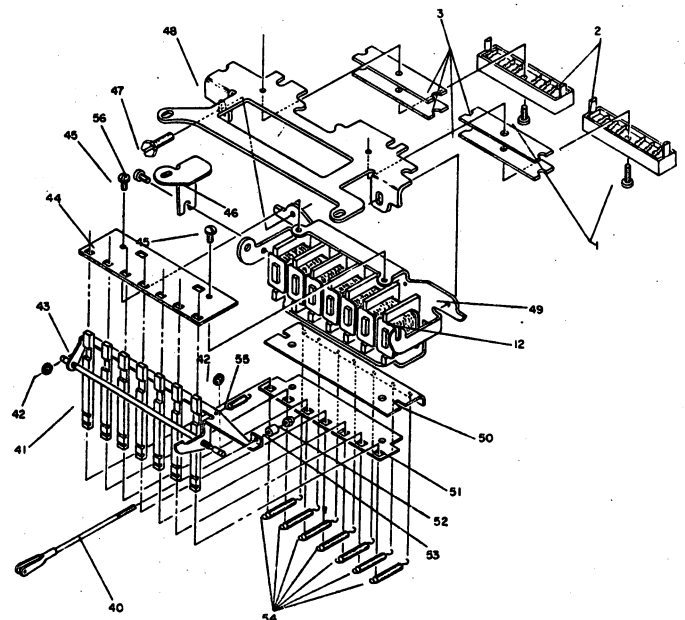
REF. PART NO.	DESCRIPTION
CODE - 506	

REF. PART NO.	DESCRIPTION	REF. PART NO.	DESCRIPTION
1	438549	SCREW, TERMINAL BLOCK	
2	302090	BLOCK ASM, TERMINAL	
3	302131	INSULATOR, TERMINAL BLOCK	
4	1128591	SCREW, MAGNET ASM MTG	
5	1128582	BRKT, MAGNET ASM	
6	1164577	SCREW, OPERATING MAGNET	
7	1107794	SPRING, KO ARM RETAINING	
8	1128598	SPACER, PRINT SELECTOR	
9	1100937	SPRING ARMATURE	
10	1128584	ARMATURE	
11	1135135	BAIL KO	
12	1135134	COIL ASSEMBLY 48V	
12	1266894	COIL ASSEMBLY 24V	
13	1128583	CORE ASM MAGNET MTG	
14	1124247	WASHER ARM STOP	
15	1856	SCREW ARM STOP	
16	358174	SCREW ARM UP STOP	
17	1164582	SCREW, MTG	
18	1128588	BACKSTOP, ARMATURE	
19	1128589	GUIDE, ARM STOP	
20	1128587	STOP, ARMATURE	
21	221	NUT ECCENTRIC PIVOT SCREW	
22	1128592	SCREW, KO ARM PIVOT	
23	1128585	PIVOT, ARMATURE	
24	1128586	GUIDE, ARMATURE	
25	1135136	MAGNET ASSEMBLY 48V	
25	1159545	MAGNET ASSEMBLY 48V	
25	1266897	MAGNET ASSEMBLY 24V	
25	1159546	MAGNET ASSEMBLY 24V	
26	1135575	DIODE ASSEMBLY	
26	1145415	DIODE ASSEMBLY	
		COMMON ANODE	
		COMMON CATHODE	
*USED ABOVE S/N 4616461, BELOW S/N 4616462, ALSO ORDER REF. 40, 46, 52, 53, 56.			
40	1166088	LINK, TRIP	
41	1159972	ARMATURE, SELECTION	
42	219633	RETAINER	
43	1166546	ARM ASM, CYCLE CLUTCH	
44	1159973	STOP SELECTION ARMATURE	
45	55729	SCREW	
46	1166187	SUPPORT MOUNT	
47	1066053	SCREW, MAGNET MTG	
48	1159978	BRKT MAGNET ASM	
49	1159982	MTG AND CORE ASM	
50	1159975	PIVOT ARMATURE	
51	1159974	GUIDE ARMATURE	
52	1159716	NUT, ADJUSTING	
53	1128685	WASHER, SHOCK ABSORBER	
54	1166203	SPRING ARMATURE	
55	1134831	SPRING	
56	1128352	SCREW	

SELECTION MAGNET ASSEMBLY



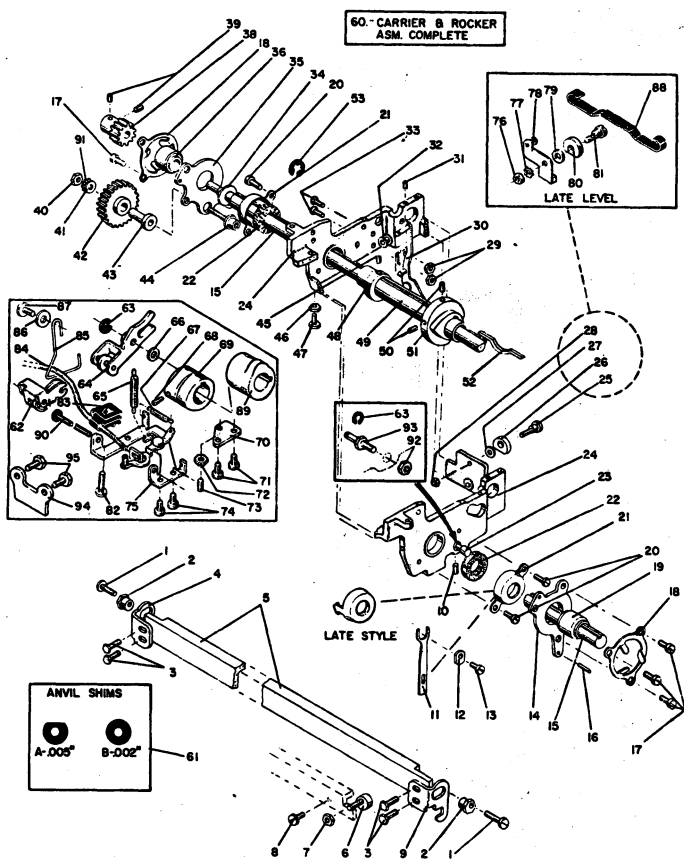
SELECTION MAGNET ASSEMBLY



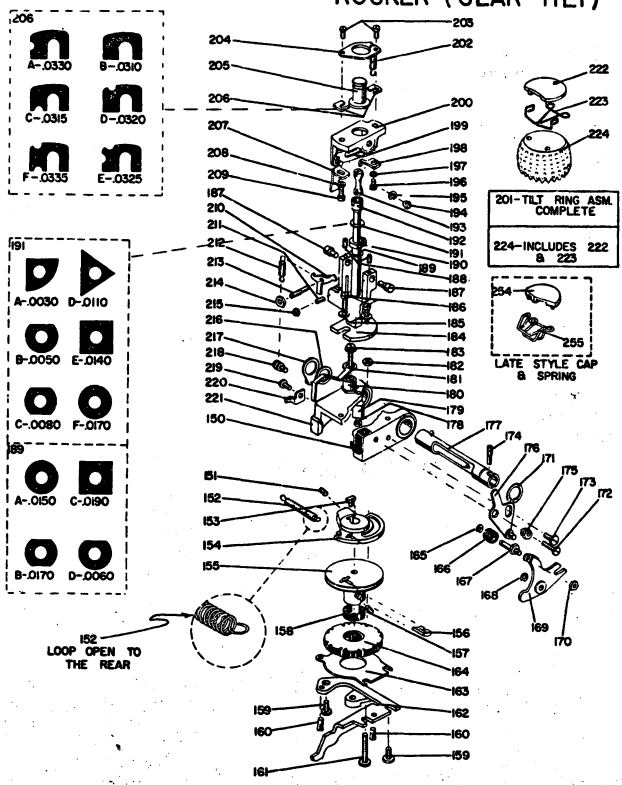
CODE - 507

AUG. 15, 1966

CARRIER ASSEMBLY



ROCKER (GEAR TILT)



REF. PART NO.	DESCRIPTION	REF. PART NO.	DESCRIPTION
1	1124158 SCREW, ANVIL ECCENTRIC	79	1164218 WASHER, SHOE ECCENTRIC
2	1124161 ECCENTRIC, ANVIL	80	1141770 SHOE UPPER
3	1124543 SCREW, ANVIL MTG	81	1141772 STUD, SHOE ECCENTRIC
4	1124163 BRKT, LH ANVIL MTG	82	38262 SCREW, ANCHOR MTG
5	1141640 SUPPORT, 15"	83	1141636 CLIP, CABLE ANCHOR
5	1135494 SUPPORT, 11"	84	1141763 CABLE 11"
5	1128047 SUPPORT, 15"	84	1141765 CABLE 15"
5	1164791 SUPPORT, USED WITH 735 ABOVE S/N 4623736 AND 775 ABOVE S/N 4681849	85	1142637 GUIDE CABLE
6	1128054 ECCENTRIC, ANVIL	86	1090657 WASHER, CABLE GUIDE
7	38051 NUT, ECCENTRIC MTG	87	1164582 SCREW, CABLE GUIDE
8	1141097 SCREW, ANVIL MTG	88	1166164 SPRING SHOE 775
9	1124162 BRKT, RH ANVIL	90	1141622 STUD, ANCHOR BRKT
10	257959 SCREW, PRINT CAM	91	56722 LOCKWASHER
11	1128126 BUFFER, CARRIER 15"	92	6503 NUT, FOLLOWER STUD
12	1128184 ECCENTRIC, CARRIER BUFFER	93	1164562 STUD, PRINT CAM FOLLOWER
13	38262 SCREW, BUFFER	94	IF FOLLOWER IS NOT COUNTERSUNK ORDER REF 64, STUD-REF 93 & NUT-REF 92 DO NOT USE
14	1135591 PLATE, RH PRINT SHAFT BEARING	94	WASHER-REF 66 WITH STUD-REF 93
14	1124648 PLATE, RH-OLD	95	1164435 PAD, BEARING
15	1164736 SHAFT, PRINT 11"	150	1124827 SCREW, MTG
15	1164738 SHAFT, PRINT 15"	150	1124218 RETAINER, SPRING DRUM
	*USED ABOVE SN 4618349 WITH REF 5	151	257959 SCREW, TILT PULLEY
15	1124169 SHAFT, PRINT 11"	152	1133660 SPRING, TILT PULLEY
15	1138846 SHAFT, PRINT 11"	153	1132148 NUT, TILT PULLEY
15	1138848 SHAFT, PRINT 15"	154	1124712 PULLEY, TILT
15	1128048 SHAFT, PRINT 15"	155	1124196 PULLEY, ROTATE
	*USED ABOVE S/N 4604700	156	1124745 KEY, ROTATE PULLEY
16	1132212 PIN	157	257957 SCREW, ROTATE PULLEY
17	38350 SCREW, PRINT SHAFT BEARING	158	1141238 CLIP, ROTATE PULLEY
18	1124168 RETAINER, PRINT SHAFT	159	1164580 SCREW, STRIKER MOUNTING
19	1124167 BEARING, RH PRINT SHAFT	160	1132118 DOWEL, STRIKER
19	1164740 BEARING, PRINT SHAFT	162	438954 SCREW, STRIKER MTG
20	38261 SCREW, PRINT SHAFT RE-TAINER	162	1127422 STRIKER, RESTOR CAM FOLL
21	1124646 RETAINER, PRINT SHAFT	162	1128450 STRIKER
21	1141508 RETAINER-LATE		USED ABOVE SN 4610347
22	1124647 WIPER, PRINT SHAFT	163	1124217 PLATE, ROTATE SPRING
23	1124176 STUD, PRINT CAM FOLLOWER	163	1164548 PLATE-IMPR CONTROL C&R
24	1141200 CARRIER, ASSEMBLY	164	1132244 SPRING, ROTATE ASM
	WHEN REPLACING CARRIER ASM ON 11 IN BELOW 4036419 & 15 IN BELOW 4354172, DRUM NYLON THRUST WASHER PN 1141189 AND REF 216	165	1073418 C-CLIP, FOLLOWER
24	1128740 CARRIER, RED RIBBON	166	1132279 FOLLOWER, RESTORING CAM
25	* 1141159 SCREW, CARRIER ROLLER	167	1127273 STUD, RESTOR CAM FOLL
26	* 1141158 SHOE, CARRIER UPPER	168	1073418 C-CLIP, PRINT CAM FRONT
27	* 1141160 WASHER, SHOE ECCENTRIC *ON MACHINES BELOW 4080724, 11" 4379694, 15", REPLACEMENT OF REF 25,26, OR 27 REQUIRES REPLACING ALL THREE	169	1124830 FOLLOWER, PRINT CAM
28	1141205 NUT, SHOE ECCENTRIC STUD	170	1127722 NUT, RESTOR CAM FOLL
29	37913 NUT, DETENT BRKT	171	236571 RETAINER, ROCKER SHAFT
30	1124178 BRKT, DETENT	172	1164580 SCREW, VEL CONTROL PLATE
30	1164153 BRKT, USED ON IMPRESSION CONTROL C&R	173	1138843 SCREW, VEL CONTROL PLATE
31	257957 SCREW, ROCKER SHAFT	174	1124707 SCREW, TAPE ANCHOR
32	1134803 ROLLER, DETENT CAM FOLLOWER	175	1124713 CONTROL C, CONTROL PLATE
	WHEN INSTALLING ROLLER BELOW 4014700 ORDER REF 181 ALSO	176	1124572 PLATE, VELOCITY CONTROL
33	472729 SCREW, DETENT LEVER MTG	177	1124708 SHAFT, ROCKER PIVOT
34	1090511 WASHER, PRINT SHAFT	178	38250 SCREW, TAPE GUIDE MTG
34	1141458 WASHER	179	1124219 GUIDE, TAPE
35	1135590 PLATE, LH PRINT SHAFT BEARING, LH	180	1124838 SUPPORT, DETENT LEVER
35	1127762 PLATE, OLD	181	1124179 LEVER, DETENT ACTUATING
36	1164740 BEARING, PRINT SHAFT	182	2114985 NUT, STRIKER MTG SCREW
36	1124166 BEARING, LH PRINT SHAFT	183	1141523 SCREW, DETENT LEVER MTG
36	1138845 BEARING, LH PRINT SHAFT USED ABOVE SN 4604700	184	1141235 YOKER ASSEMBLY
38	1123679 GEAR, PRINT SHAFT		WHEN REPLACING YOKER ON MACHINES BELOW 4053655 & 4355296 ORDER REF 190 ALSO
38	1164739 GEAR, PRINT SHAFT	185	263680 WASHER
	*USED ABOVE SN 4618349	186	1123588 SCREW, YOKE MTG
39	257959 SCREW, PRINT SHAFT	187	1124190 PIN, TILT RING
40	28051 NUT, IDLER GEAR SCREW	188	1123928 SCREW, TILT RING MTG
41	1134843 WASHER, IDLER GEAR	189	1127677 SHIM, TILT TUBE A
42	1159350 GEAR, UPPER IDLER	189	1127768 SHIM, TILT TUBE B
43	1159097 STUD, UPPER IDLER GEAR	189	1127769 SHIM, TILT TUBE C
44	1134841 SCREW, IDLER GEAR MTG	189	1141175 SHIM, TILT TUBE D
45	257957 SCREW, DETENT CAM	190	1124204 TUBE, TILT SECTOR
46	38214 NUT, CARRIER STOP 15"	191	1141176 SHIM, LOWER BALL A
47	1124287 SCREW, CARRIER STOP 15"	191	1127770 SHIM, LOWER BALL B
47	1141151 SHIM, RIBBON FEED & DETENT	191	1127771 SHIM, LOWER BALL C
48	1142420 CAM, RIBBON FEED & DETENT USED ON IMP CONTROL C&R FOR RED RIBBON SEE CODE 530	191	1127772 SHIM, LOWER BALL D
49	1138849 SLEEVE, PRINT	191	1127773 SHIM, LOWER BALL E
49	1159508 SLEEVE, PRINT RED RIBBON USED PRIOR TO STICK SHIFT	191	1127774 SHIM, LOWER BALL F
50	257971 SCREW, PRINT CAM	191	1164563 SHIM .025 GEARLESS TILT
50	257961 SCREW, PRINT CAM USED ON MACHINES ABOVE 4085700 11" & 4382850, 15"	192	1124197 SOCKET ASM LOWER BALL
51	1124174 CAM, PRINT	193	1124220 JOINT, BALL
52	* 1141151 KEY, PRINT SLEEVE *ON 11" BELOW 4034780 & 15" BELOW 4352650, REPLACEMENT OF EITHER REF 48,49, OR 52 REQUIRES REPLACEMENT OF ALL THREE	193	1164879 JOINT BALL 775
53	237245 C-CLIP, PRINT SHAFT ABOVE SN 4618349	194	1141382 NUT, DETENT ADJUSTING
60	1159008 C&R STICK SHIFT	194	1141371 WASHER
60	1159905 C&R STICK RED RIBBON	196	1138353 SCREW, DETENT GUIDE
60	1164254 CARRIER & ROCKER	197	45611 WASHER, DETENT GUIDE
60	1135043 CARRIER, RED RIBBON	198	1124831 GUIDE, DETENT
61	1145396 SHIM A	199	1164285 LEVER, ROTATE DETENT
61	1145395 SHIM B	200	1133574 RING ASM, TILT
	USE ON 15" SHIM WITH OLD STYLE-FLAT LEAF-MARGIN RACK LOAD SPRING-BELOW SN 4604996		TO INSTALL TILT RING ON 11" BELOW 4032020 AND 15" BELOW 4351745, ORDER REF 194 & 195 FILE YOKE TO REMOVE INTERFERENCE WITH REF 194
62	1141626 YOKE	201	1266687 TILT RING ASSEMBLY B/H
63	1073418 RETAINER	202	1133659 SPRING, ROTATE DETENT
64	1141619 FOLLOWER	203	1138353 SCREW, TILT RING SPACER
65	1141630 SPRING, ROCKER RETAINER	204	1124188 SPACER, TILT RING
66	1164290 WASHER, PRINT CAM FOLLOWER	205	1133529 SOCKET, UPPER BALL
67	1123818 SPRING, ROLLER RETAINER	205	1164041 SOCKET, UPPER BALL
68	1127760 SCREW, PRINT CAM		USE WITH 1164039 TILT RING
69	1141627 CAM PRINT DUAL IMPRESSION	205	1141997 SOCKET, UPPER BALL
70	1141629 STOP ROCKER		USED ON STICK SHIFT ROCKER
71	472729 SCREW, STOP	206	1123822 SHIM, TILT RING A
72	2114985 NUT, STOP	206	1123823 SHIM, TILT RING B
73	257958 SCREW, ROCKER STOP	206	1123824 SHIM, TILT RING C
74	1164580 SCREW, TAB CORD ANCHOR	206	1123825 SHIM, TILT RING D
74	1141624 BRKT, TAB CORD	206	1128281 SHIM, TILT RING E
76	38051 NUT	206	1141144 SHIM, TILT RING F
77	56722 LOCKWASHER	207	* 1134785 GUIDE, ROTATE DETENT REL
78	1141775 SHOE ASSEMBLY, LOWER	208	* 45611 WASHER, DETENT GUIDE
		209	* 1124835 SCREW, DETENT GUIDE REL
			*USED WITH OLD STYLE TILT RING
		210	1164151 LEVER, TILT DETENT ON MACHINES BETWEEN SN 4602000 - 4603500 REQUIRES REPLACEMENT OF ROTATE-DETENT REF 199
		211	1124834 SCREW, TILT DETENT GUIDE
		212	1133658 SPRING, TILT DETENT
		213	1124832 STUD, TILT DETENT
		214	1090268 NUT, TILT DETENT STUD
		215	1123785 NUT, TILT LEVER GUIDE
		216	1078497 WASHER, ROCKER BEARING USED WITH REF. 217
		217	1141189 WASHER, NYLON
		217	1127775 WASHER, THRUST
			USED BELOW 4036419 AND 4354172
		218	1124234 STUD, SPRING ANCHOR
		219	38261 SCREW, TILT SPRING MTG
		220	1124224 ANCHOR, TILT TUBE

CODE - 508

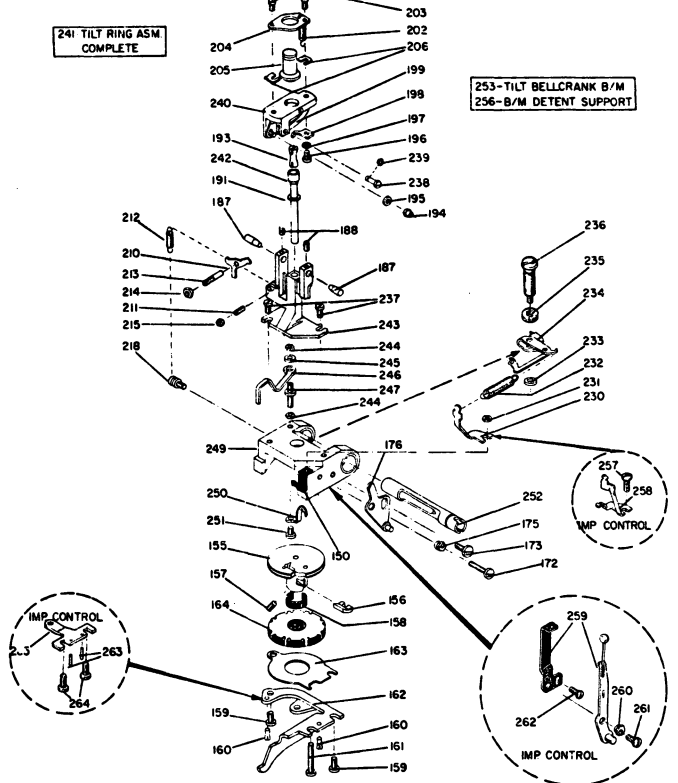
AUG. 15, 1966

REF. PART NO.	DESCRIPTION
221	1141199 ROCKER ASSEMBLY, B/M INCLUDES YOKE, ROCKER & STRIKER SEE NOTE AFTER REF 184
222	1134765 HEAD CAP, BLANK
223	1133517 CLIP, SPRING
TYPING ELEMENT ASSEMBLY CODE NUMBER IS LAST THREE DIGITS OF PART NUMBER	
224	1167050 ET CORRESPONDENCE
224	1167908 ET BCD
224	1167010 MANIFOLD 10P
224	1167015 COURIER 10P
224	1167019 MANIFOLD CANG ZERO
REF 224 INCLUDES REFS 222 & 223	
230	1128456 BRKT, TILT SPRING
231	37913 NUT, STRIKER MTG SCREW
232	1128459 SPRING, TILT PULLEY
233	1164158 WASHER, TILT PULLEY NOT USED WITH PLASTIC PULLEY
234	1164310 TILT PULLEY G.T.
235	1164099 WASHER, FELT
236	1128455 STUD, TILT PULLEY
ON MCH BELOW 4604800 REQUIRES REPL OF REF 233-234-235-236 INCLUDED IN B/M 1280498. TILT TAPE MUST ALSO BE REPLACED	
237	1164580 SCREW, YOKE MTG
238	1128451 STUD, TILT LINK
239	251909 RETAINER, TILT LINK
240	1164039 TILT RING USED ON IMP CONTROL C&R
240	1128442 TILT RING
241	1280119 TILT RING ASSEMBLY B/M PRIOR TO DUAL IMPRESSION
241	1272467 TILT RING ASSEMBLY B/M FOR DUAL IMPRESSION
242	1128436 LOWER BALL SOCKET
242	1164550 LOWER BALL SOCKET USED ABOVE SN 4610347
243	1128434 YOKE
244	1134842 NUT, DETENT ACTUATING ARM
245	1128493 WASHER, DETENT ACTUATING ARM
246	1128458 LEVER, DETENT ACTUATING
247	1128495 SCREW, DETENT ACTUATING ARM
ON MACHINES BELOW 4603100 REPL OF ANY PART WILL REQUIRE ALL THREE-ORDER REF 256	
249	1128438 ROCKER
249	1141752 ROCKER USED ON IMP CONTROL C&R
250	1128449 TAPE GUIDE, TILT
250	1164044 TAPE GUIDE USED ON IMP CONTROL C&R
251	186712 SCREW, TAPE GUIDE
252	1128457 ROCKER, PIVOT SHAFT
253	1280498 B/M TILT BELLCRANK INCLUDES REF 233-234-235-236
256	1272176 B/M DETENT SUPPORT

REF. PART NO.	DESCRIPTION
257	38565 SCREW, BRKT MTG
258	1141625 BRKT, TILT BELLCRANK SPACER
259	1141757 LEVER ASSEMBLY
260	1141759 ECCENTRIC, VEL CONTROL
261	338238 SCREW, VEL CONTROL ECC
262	1164580 SCREW, BRKT ADJUSTING
263	1132118 DOWEL STRIKER
264	1164580 SCREW, STRIKER MTG
265	1141632 BEARING, LOWER
Ref. 23 & 93 PRINT CAM FOLLOWER STUD	
<b>Pre-Dual Impression Machines</b>	
This stud, PN 1124176, is used as a replacement part on all machines not equipped with dual impression which have the original "non-faced" carriers.	
<b>Pre-Dual Impression Machines with New Carrier</b>	
This stud, PN 1164562, and nut, PN 6503, must be used with a carrier charge on all machines not equipped with dual impression. This is necessary because all field replacement carriers are "faced" and do not have a set screw hole for mounting the original stud.	
<b>Early Dual Impression Machines</b>	
This stud, PN 1175054, must be used on the early dual impression machines. The follower, PN 1141619, must also be replaced to insure compatibility. This procedure is necessary because the early D.I. carriers were "non-faced".	
<b>Current Level Machines</b>	
This stud, PN 1164878, and nut, PN 6503, can be used on all Dual Impression carriers that are "faced". It must be used with the new print cam follower, PN 1141619.	
Part No.	Description
1164562	Stud, Fol. Mtg. 6503 Nut
Part No.	Description
1164878	Stud, Fol. Mtg.
1175054	Stud, Fol. Mtg.
1164878	Stud, Fol. Mtg.

CODE - 508

ROCKER (GEARLESS TILT)

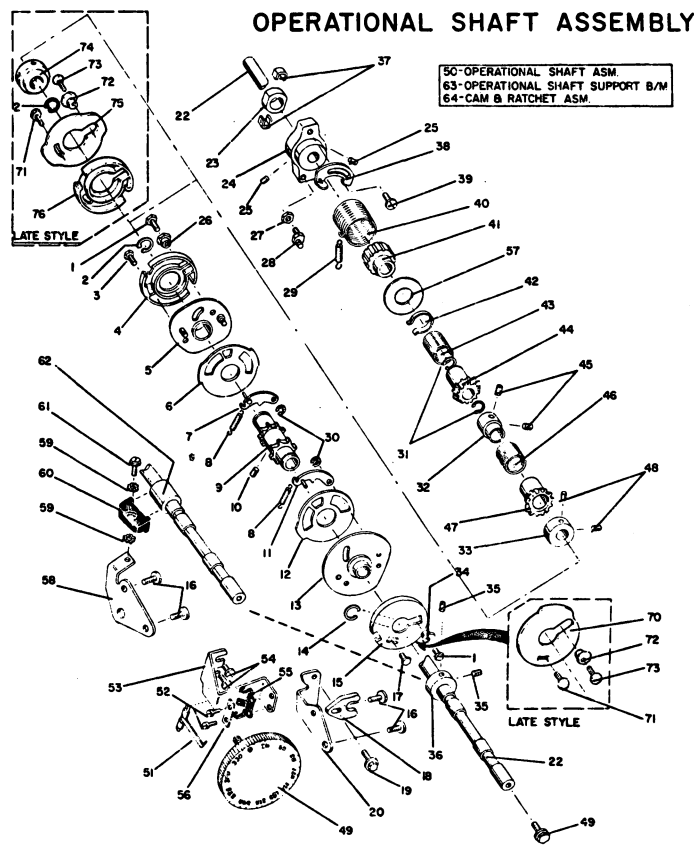


REF. PART NO.	DESCRIPTION
1	1141233 SCREW, CHECK RING
2	324221 C-CLIP, OPERATING CAM
3	1164582 SCREW, CHECK RING
4	1141134 RING, CHECK CAM
5	1159267 CAM, SB/BS/TAB
6	1123570 WHEEL, SB/BS/TAB
7	1166217 PAWL, CAM, SB/BS/TAB
8	1132064 SPRING PAWL
9	1159269 RATCHET, OPERATING CLUTCH
10	257969 SCREW, OPERATING CLUTCH
11	1128413 PAWL, CR/INDEX
12	1123566 WHEEL, CR/INDEX
13	1159886 CAM, CR/INDEX
14	324221 C-CLIP, OPERATING CAM
15	1123594 RING, CR/INDEX
16	1164577 SCREW, BRKT MTG
17	1164582 SCREW, CHECK RING
18	1138116 SUPPORT, CAM SHAFT
19	1128326 SCREW, OPER BRKT SUPPORT
REF ONLY IF REPL IS NECESSARY ORDER REF 58,59,60,61,62 AND CONVERT	
22	1123559 SHAFT, OPERATING CAM 11
22	1128161 SHAFT, OPERATING CAM 15
23	1123579 SLEEVE, HUB TORQUE
24	1133548 HUB, TORQUE LIMITER
25	257975 SCREW, HUB TORQUE
26	1123593 ECCENTRIC, CHECK RING
27	37913 NUT, STUD TORQUE
28	1132069 STUD, TORQUE LIMIT
29	1124290 SPRING, EXTENSION
30	1073418 C-CLIP, PAWL RETAINER
31	324497 C-CLIP, PINION RETAINER
32	1123573 HUB, TAB GOVERNOR
33	1123582 COLLAR, TAB GOVERNOR PIN
34	1123593 ECCENTRIC, CHECK RING
*BELOW SN 4609595 REPLACEMENT OF ANY PART REQUIRES REPLACEMENT OF ALL PARTS USE B/M 1272677 REF 64	
35	1100523 SCREW, COLLAR
36	1123582 COLLAR, OPERATING 15"
37	1133583 INSERT, HUB TORQUE
38	1123580 CLAMP, TORQUE SPRING
39	265195 SCREW, CLAMP TORQUE
40	1123581 SPRING, TORQUE
41	1123575 ARBOR, TORQUE LIMIT
42	1123577 CLAMP, CARRIER RETURN SPRING
43	1123576 SPRING, CARRIER RETURN CLUTCH
44	1123574 PINION, CARRIER RETURN
45	1100523 SCREW, TAB GOVERNOR HUB
46	1123572 SPRING, TAB GOVERNOR
47	1123571 PINION, TAB GOVERNOR
48	1100523 SCREW, GOVERNOR COLLAR
49	1135233 SCREW, TURNING
49	1145391 WHEEL, DEGREE

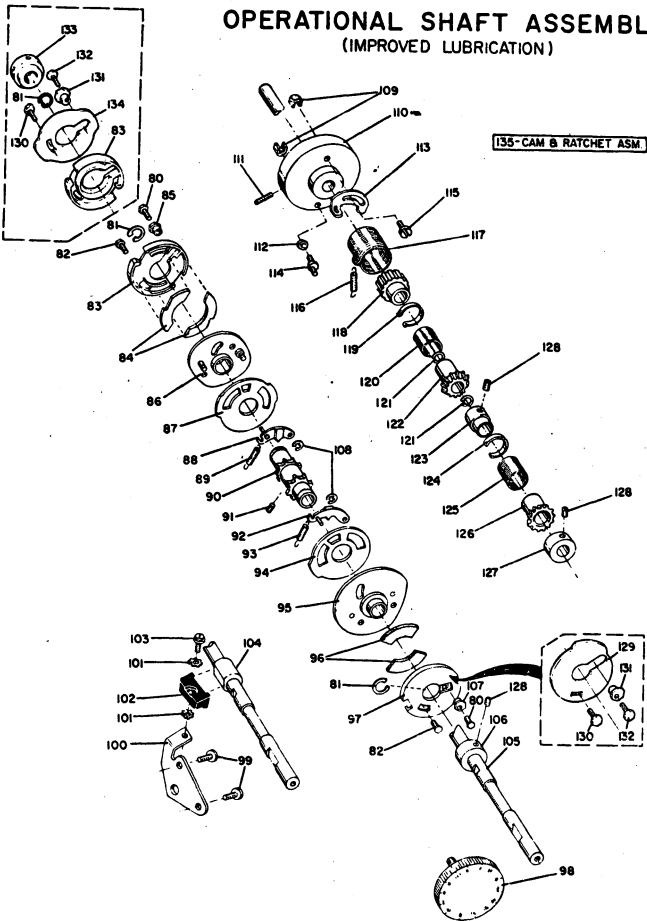
REF. PART NO.	DESCRIPTION
57	1159878 RETAINER, GREASE
58	1135311 BRACKET, SUPPORT
59	56722 WASHER, STAR
60	1159843 SUPPORT, CAM SHAFT
61	1128326 SCREW
62	1159844 BUSHING, SHAFT SUPPORT
63	1272675 OPERATING SHAFT SUPPORT B/M
64	1272677 CAM AND RATCHET ASSEMBLY
64**	1272915 CAM & RATCHET ASSEMBLY
**USED WITH LATE STYLE OPR CONTACT	
70	1159964 CAM CONTACT OPERATING
71	1123588 SCREW, CHECK RING MTG
72	1159948 ECCENTRIC CHECK RING
73	1159955 SCREW, ECCENTRIC LOCKING
74	1159939 COLLAR, TAB GOVERNOR PIN
75	1159965 CAM, CONTACT OPERATING
76	1166309 CHECK RING BS/SB
PARTS USED WITH LATE STYLE POSITIVE ACTION OPR CONTACTS	

CODE - 510

OPERATIONAL SHAFT ASSEMBLY



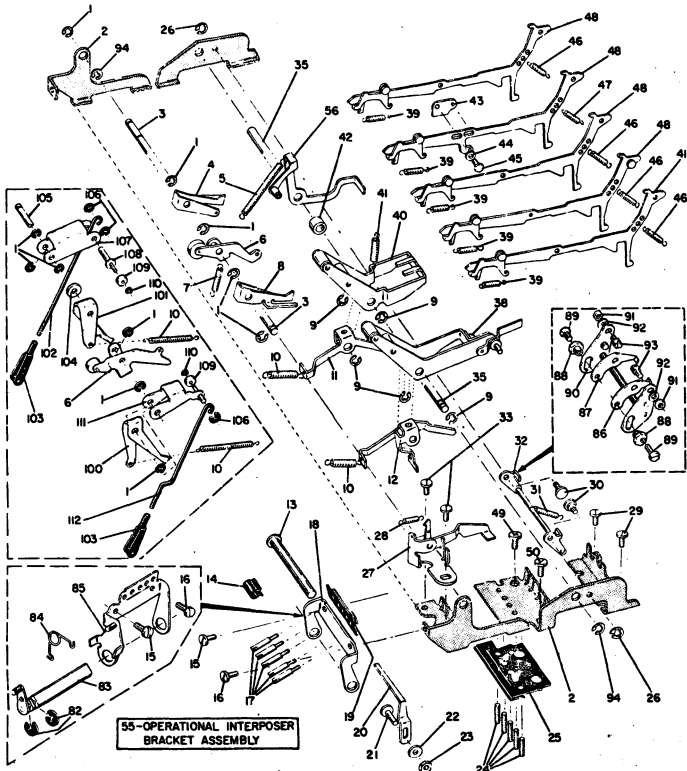
**OPERATIONAL SHAFT ASSEMBLY**  
(IMPROVED LUBRICATION)



REF. PART NO.	DESCRIPTION	REF. PART NO.	DESCRIPTION
80	1166372 SCREW, CHECK RING	111	257979 SCREW, HUB TORQUE
81	324221 C-CLIP OPERATING CAM	112	257187 NUT, STUD TORQUE
82	1166373 SCREW, CHECK RING LOCK	113	1123580 CLAMP, TORQUE SPRING
83	1166387 RING CHECK - GREEN	114	1159674 STUD, TORQUE LIMIT
84	1166388 WICK, OIL	115	265195 SCREW, CLAMP TORQUE
85	1123593 ECCENTRIC, CHECK RING	116	1141650 SPRING, EXTENSION
86	1159267 CAM, SB/BS/TAB	117	1123581 SPRING, TORQUE
87	1123570 WHEEL, SB/BS/TAB	118	1159654 ARBOR, TORQUE LIMIT
88	1166217 PAWL, CAM SB/BS/TAB	119	1123577 CLAMP, CARRIER RETURN
89	1132064 SPRING, PAWL		SPRING
90	1159269 RATCHET, OPERATING CLUTCH	120	1123576 SCREW, RATCHET
91	257969 SCREW, RATCHET		CLUTCH
92	1128413 PAWL, CR/INDEX	121	324497 C-CLIP, PINION RETURN
93	1132064 SPRING, PAWL	122	1123574 PINION, CARRIER RETURN
94	1123566 WHEEL, CR/INDEX	123	1123573 HUB, TAB GOVERNOR
95	1159886 CAM, CR/INDEX	124	1166555 CLAMP, TAB SPRING
96	1166383 WICK, OIL	125	1123572 SPRING, TAB GOVERNOR
97	1166382 RING, CHECK - YELLOW	126	1123571 PINION, TAB GOVERNOR
98	1145391 WHEEL, DEGREE	127	1123582 COLLAR, TAB GOV PINION
99	1164577 SCREW, BRKT MTG	128	1100523 SCREW, SET
100	1135311 BRACKET, SUPPORT	129	1159964 CAM, CONTACT OPERATING
101	56722 WASHER, STAR	130	1123588 SCREW, CHECK RING MTG
102	1159843 SUPPORT, CAM SHAFT	131	1159948 ECCENTRIC, CHECK RING
103	1128326 SCREW, SUPPORT	132	1159955 SCREW, ECCENTRIC LOCKING
104	1159844 BUSHING, SHAFT SUPPORT	133	1159939 COLLAR, TAB GOV PINION
105	1166365 SHAFT, OPERATING 11"	134	1159965 CAM, CONTACT OPERATING
106	1166366 SHAFT, OPERATING 15"		PARTS USED WITH LATE STYLE POSITIVE ACTION OPR CONTACTS
107	1123582 COLLAR, OPERATING SHAFT	135	1272677 CAM AND RATCHET ASSEMBLY
108	1073418 RETAINER, PAWL	135	1272915 CAM AND RATCHET ASSEMBLY
109	1166231 INSERT, HUB TORQUE		INCLUDES REF 129,130,131,132 & 133
110	1166230 HUB TORQUE LIMITER		

**CODE-510**

**OPERATIONAL BRACKET ASSEMBLY**



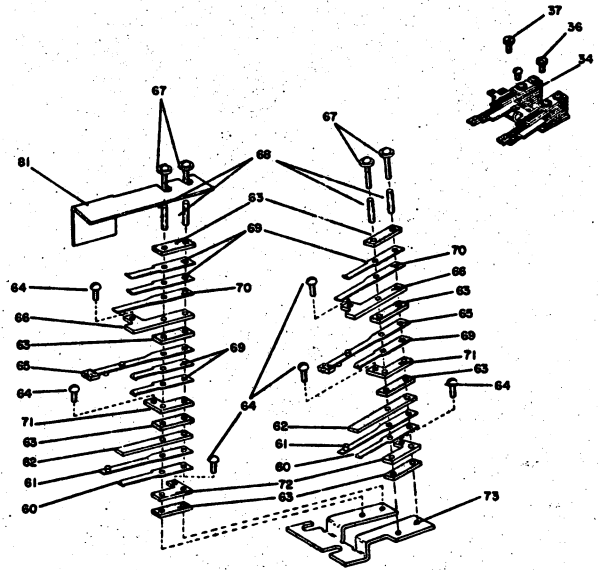
REF. PART NO.	DESCRIPTION	REF. PART NO.	DESCRIPTION
1	1092125 C-CLIP, CHECK PAWL SHAFT	47	150047 SPRING, SPACEBAR INTER-POSER
2	1132084 BRACKET, OPERATION	48	SEE APPROPRIATE MECHANISM
3	1123585 SHAFT CHECK PAWLS	49	364816 SCREW, OPERATING BRKT
4	1159125 PAWL, BACKSPACE CAM CHECK	50	322065 SCREW, OPERATING BRKT
5	1091618 SPRING, CAM FOLLOWER	55	1135408 ASM, OPERATING BRKT
6	1123591 FOLLOWER, CAM		USED ON 731,735,775
7	1090404 SPRING, CAM FOLLOWER	56	1135211 FOLLOWER ASSEMBLY
8	1159126 PAWL, CARRIER RETURN CAM CHECK		AUXILIARY
9	1092125 C-CLIP, SHAFT	56	1159312 FOLLOWER-USED WITH
10	23106 SPRING, RELEASE LEVER		ADJUSTABLE RESTORE BAIL
11	1132074 ARM, BACKSPACE CLUTCH RELEASE	82	264641 C-CLIP
12	1123819 ARM, CARRIER RETURN CLUTCH RELEASE	83	1159244 LEVER, LOCK OUT
13	1141195 PIN	84	1159240 SPRING, TOGGLE
14	1141194 RETAINER	85	1159246 GUIDE, KEYLEVER
15	1164578 SCREW, PAWL GUIDE	86	1159307 LEVER, CARRIER RETURN RESTORE
15	1164582 SCREW, PAWL GUIDE		
	USED ON MACHINES BELOW 4064000	87	1159306 LEVER, BACKSPACE RESTORE
16	1164578 SCREW, PAWL GUIDE	88	1123593 ECCENTRIC
17	1133584 STUD, PAWL GUIDE	89	1128382 SCREW, ECCENTRIC ADJUSTING
18	1141208 GUIDE	90	1159301 LEVER, RESTORE
	MUST BE USED TOGETHER	91	38214 NUT
19	1132117 RETAINER, PAWL STUD	92	338169 WASHER, LOCK
20	1128660 STOP, KEYLEVER PAWL	93	1159308 STUD, LEVER
21	35739 SCREW, 11"	94	1132122 CLIP, SPRING
21	38348 SCREW, 15"	100	1123586 PAWL, CARRIER RETURN CAM CHECK
22	1124461 WASHER, COVER SCREW	101	1166307 PAWL, BACKSPACE CAM CHECK
23	257187 NUT, COVER MTG SCREW	102	1159954 LINK, CONTACT ACTUATING LH
24	1132098 SCREW, INTERPOSER	103	1070020 CLEVIS
25	1134712 CLIP, INTERPOSER SCREW	104	1078653 SPACER
26	1141141 RETAINER, RESTORING STUD	105	1159960 SHAFT, CHECK PAWL
27	1138454 LEVER ASM, SPACEBAR	106	1073418 RETAINER
28	167790 SPRING, SPACEBAR LOCKOUT	107	1159949 ARM, FOLLOWER, BACKSPACE CONTROL
29	1164577 SCREW, OPERATING BRKT	108	1159947 STUD, BACKSPACE FOLLOWER ROLLER
30	1134997 STUD, RESTORE LEVER	109	1159952 ROLLER, CAM FOLLOWER
	MAY BE USED IN PLACE OF STUD AND NUT ON MACHINES BELOW 4010750	110	469565 RETAINER
31	1074242 SPRING	111	1159942 ARM ASM FOLLOWER CARRIER RETURN
32	1132078 LEVER, RESTORE	112	1159950 LINK, CONTACT ACTUATOR RH
33	1127733 SCREW, OPERATING BRKT		
	CONTACT ASM, OPR FEEDBACK C5 & C6		
34	1128688 ET 11" MACHINE		
34	1135308 C5 ET 15"		
34	1135306 C6 ET 15"		
35	1141162 SHAFT, CAM FOLLOWER		
	USE WITH REF 40 ONLY		
35	1124509 SHAFT, CAM FOLLOWER		
	BUSED BELOW 4082837 AND 4380630		
36	35739 SCREW, CONTACT MTG		
36	1166041 SCREW, CONTACT MTG		
	USED WITH LATE STYLE OPR CONTACT		
37	1164576 SCREW, CONTACT MTG		
38	1128692 FOLLOWER TWO PIECE		
38	1135173 FOLLOWER ASM, CARRIER RETURN		
39	1073863 SPRING, INTERPOSER		
40	1124508 FOLLOWER ASM, BACKSPACE		
41	1090162 SPRING, CAM FOLLOWER		
42	1074556 SPACER, CAM FOLLOWER		
43	1138805 KEEPER, SPACEBAR		
44	1090475 WASHER, SPACEBAR KEEPER		
	SCREW		
45	1127714 SCREW, SPACEBAR KEEPER		
46	1134948 SPRING, BACKSPACE TAB CR/INDEX INTERPOSERS		

**CODE - 511**

REF. PART NO.	DESCRIPTION	REF. PART NO.	DESCRIPTION
60	1135467	SPRING, BACKUP	
61	1128745	CONTACT, ALL MODELS	
62	326119	SUPPORT STRAP	
63	37435	INSULATOR PLATE	
64	118418	SCREW, TERMINAL	
65	1128744	CONTACT STRAP	
66	1128743	TERMINAL CONTACT	
67	173205	SCREW, MOUNTING	
68	100229	INSULATOR	
69	1135466	SPRING, BACKUP	
70	1128746	CONTACT STRAP	
71	339109	TERMINAL CONTACT	
72	339109	TERMINAL CONTACT	
73	1128689	BRACKET	
		ALL MODELS EXCEPT 15"	
73	1135309	BRACKET, C5 15"	
73	1135307	BRACKET, C6 15"	
81	1159536	SHIELD, C5	
		MUST USE WITH 100" MAINSPRING	
		PN 1164342	

CODE-511

FEED BACK CONTACT ASSEMBLY

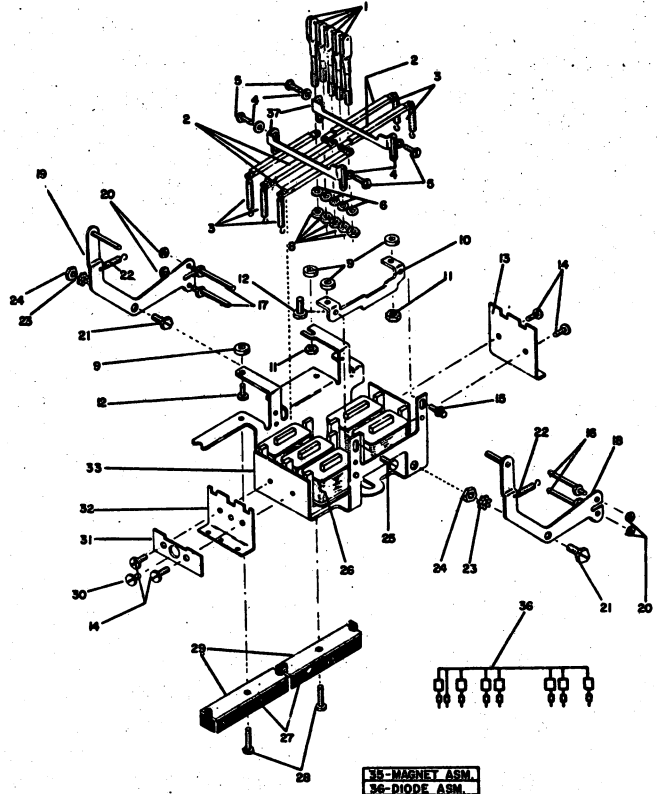


34-FEEDBACK CONTACT ASM. C5, C6

REF. PART NO.	DESCRIPTION	REF. PART NO.	DESCRIPTION
1 *	1135193	LINK ASSEMBLY-SPACE FOR EARLY LEVEL USE PN 1128684	
1 *	1128684	LINK ASSEMBLY-OTHER	
2	1128682	ARMATURE, OPERATING MAGNET	
3	1100938	SPRING, OPERATING MAGNET ARM	
4	355341	WASHER, BACKSTOP SCREW	
5	1128698	SCREW, BACKSTOP MTG	
6	1166304	WASHER, SHOCK ABSORBER	
8 *	1159716	NUT, PULLEY LINK	
		*WHEN REPLACING REF 1 ORDER REF 8 ALSO- PREVIOUS STYLE PARTS NO LONGER AVAILABLE	
9	1128598	SPACER, OPERATING MAGNET	
10	1128686	SUPPORT, OPERATING MAGNET	
11	38051	NUT, OPERATING MAGNET A MOUNTING	
12	1164577	SCREW, OPERATING MAGNET MOUNTING	
13	1128680	PLATE, PIVOT REAR	
14	1164582	SCREW, PIVOT PLATE MTG	
15	1124234	SCREW, MTG BRKT SPRING	
16	1128713	BAIL, RM OPERATING CONTACT	
17	1128712	BAIL, LH OPERATING CONTACT	
18	1128710	ARM, RH OPERATING CONTACT BAIL	
19	1128707	ARM, LH OPERATING CONTACT BAIL	
20	27073	NUT, OPERATING CONTACT BAIL	
21	1128714	SCREW, PIVOT BAIL ARM	
22	10514	SPRING, BAIL ARM	
23	56722	WASHER, LOCK BAIL ARM	
24	38051	NUT, BAIL ARM MTG	
25	1164578	SCREW, OPERATING MAGNET SUPPORT	
26	1135134	COIL, ARM MAGNET 48V	
26	1266894	COIL, ARM MAGNET 24V	
27	302090	BLOCK, ARM TERMINAL	
28	438549	SCREW, TERMINAL BLOCK	
29	302131	INSULATOR, TERMINAL BLOCK	
30	1164578	SCREW, BACKSPACE ARM PIVOT	
31	1135169	PLATE, ARM PIVOT	
32	1128679	PLATE, ARM PIVOT	
33	1128676	FRAME, OPERATING MAGNET	
35	1135022	MAGNET ASM, ALL OTHER, 48V	
35	1266895	MAGNET ASSEMBLY, 24V	
36	1135016	DIODE ASM, OPERATING MAGNET, COMMON ANODE	
36	1145475	DIODE ASM, COMMON CATHODE, 4 DIODES	
36	1145414	DIODE ASM, COMMON CATHODE, 6 DIODES	
37	1128683	BACKSTOP, OPERATIONAL ARMATURE	

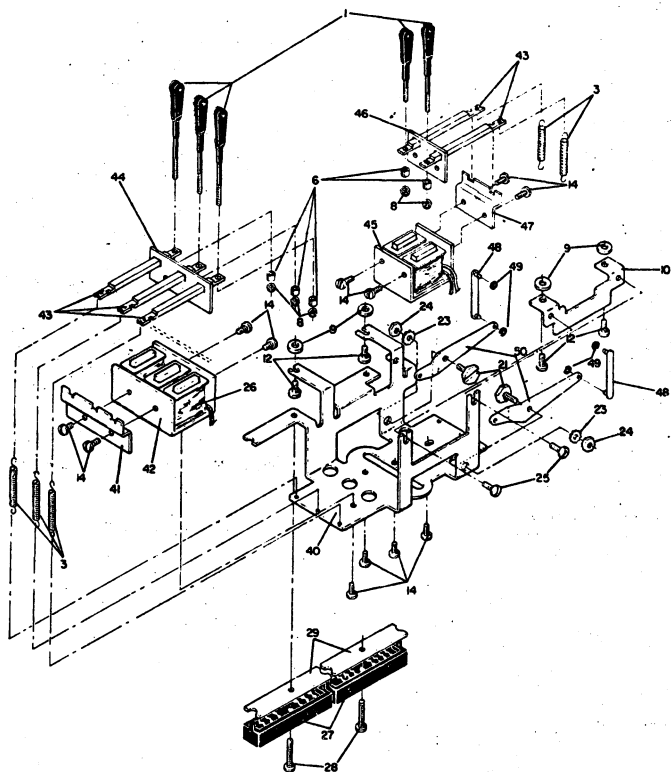
CODE - 512

OPERATIONAL MAGNET ASSEMBLY



35-MAGNET ASM.  
36-DIODE ASM.

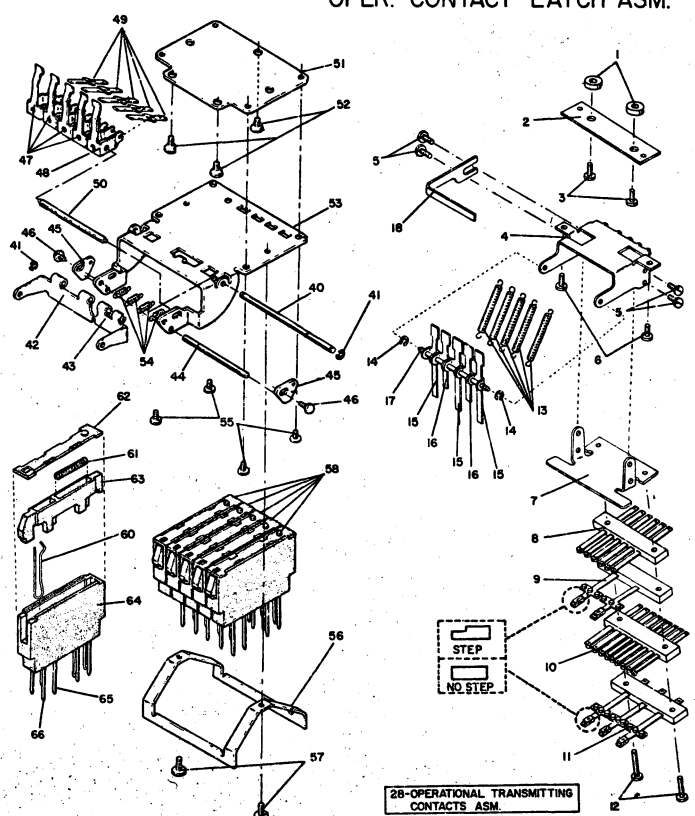
OPERATIONAL MAGNET ASSEMBLY



REF. PART NO.	DESCRIPTION	REF. PART NO.	DESCRIPTION
40	1159992 FRAME, OPERATING MAGNET MOUNTING 731 & 735 ABOVE S/N 4623633 AND 775 ABOVE S/N 4681801 USE PN 1166336		
41	1159834 PIVOT PLATE OPERATING 731 & 735 ABOVE S/N 4623633 AND 775 ABOVE S/N 4681801 USE PN 1166335		
42	1159833 BRKT ASM, OPERATING FRONT BRKT ONLY FOR COILS SEE REF 26		
43	1159829 ARMATURE, OPERATING 731 & 735 ABOVE S/N 4623633 AND 775 ABOVE S/N 4681801 USE PN 1166331		
44	1159835 BACKSTOP, OPERATING ARM 731 & 735 ABOVE S/N 4623633 AND 775 ABOVE S/N 4681801 USE PN 1166334		
45	1159842 BRKT ASM OPERATING REAR BRKT ONLY, FOR COILS SEE REF 26		
46	1159832 BACKSTOP, OPERATING ARM 731 & 735 ABOVE S/N 4623633 AND 775 ABOVE S/N 4681801 USE PN 1166332		
47	1159841 PIVOT PLATE, OPERATING 731 & 735 ABOVE S/N 4623633 AND 775 ABOVE S/N 4681801 USE PN 1166333		
48	1159945 LINK ASSEMBLY		
49	219633 RETAINER		
50	1159958 ARM, CONTACT ACTUATING		

CODE-512

OPER. CONTACT LATCH ASM.



REF. PART NO.	DESCRIPTION	REF. PART NO.	DESCRIPTION
1	1128598 SPACER, OPER CONTACT ASM		
2	1135237 PLATE, OPER CONTACT ASM		
3	1164576 SCREW, OPER LATCH PLATE		
4	1128706 BRKT, OPER CONTACT SUPPORT		
5	1164580 SCREW, OPER CONTACT SUPPORT		
6	1164578 SCREW, OPER CONTACT ASM		
7	1128697 SUPPORT, OPER CONTACT		
8	1128663 CONTACT STRAP TOP		
9	1128666 CONTACT, 2ND FROM TOP		
9	1135489 OPERATING CONTACT NO STEP		
10	1128669 CONTACT, 3RD FROM TOP		
11	1128694 CONTACT, BOTTOM		
11	1135490 OPERATING CONTACT, NO STEP		
12	173205 SCREW, CONTACT MTG		
13	1135431 SPRING, CONTACT LATCH		
14	219633 C-CLIP, OPER CONTACT		
15	1128703 LATCH, LONG		
15	1135487 LATCH, LONG, NO STEP		
16	1128704 LATCH, SHORT		
16	1135488 LATCH, SHORT, NO STEP		
17	1128705 ROD, LATCH PIVOT		
18	1135430 STOP, CONTACT LATCH		
28	1128661 ASM, CONTACT LATCH		
28	1262790 CONTACT ASM ONLY		
40	1159953 SHAFT, ACTUATING ARM		
41	469565 RETAINER		
42	1159956 ACTUATOR CONTACT LH		
43	1159957 ACTUATOR CONTACT RH		
44	1159938 SHAFT, LATCH SPRING		
45	1159941 PLATE, LATCH ADJUSTING		
46	1158353 SCREW, ADJUSTING PLATE		
47	1159966 FOLLOWER, INTERPOSER LH		
48	1159967 FOLLOWER, INTERPOSER RH		
49	1159951 CONTACT LATCH		
50	1159960 SHAFT, FOLLOWER		
51	1159959 PLATE, ADAPTER		
52	478394 SCREW, ADAPTER PLATE		
53	1159961 BRACKET, CONTACT		
54	1090343 SPRING, LATCH		
55	1164578 SCREW, MTG PLATE		
56	1159963 CLAMP, OPER CONTROL		
57	1164582 SCREW, CLAMP		
58	1159937 CONTACT BLOCK ASM		
59	1166042 CONTACT ASSEMBLY		
60	1159930 CONTACT, WIRE		
61	1166148 SPRING		
62	REFERENCE ONLY		
63	REFERENCE ONLY		
64	REFERENCE ONLY		
65	REFERENCE ONLY		
66	REFERENCE ONLY		

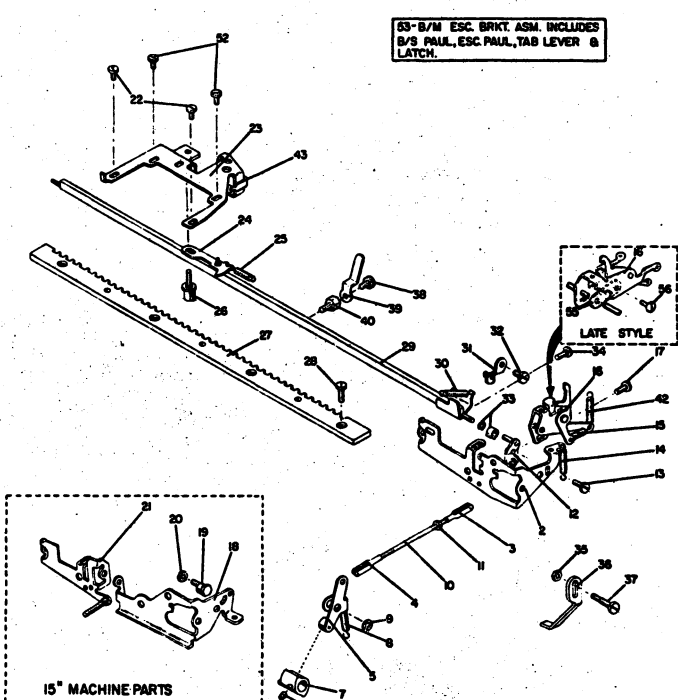
CODE-513

REF. PART NO.	DESCRIPTION
2	1135093 BRKT ASM, 11"
2	115967 BRKT ASM, 11"
	ABOVE SN 4615351
3	1110529 CLEVIS, PIN
4	1127727 CLEVIS, PIN
5	1123591 FOLLOWER, CAM
6	257969 SCREW, CAM SET
7	1124538 CAM, ESCAPEMENT
	USE BELOW 11" 4064000 AND 15"
	4370500
7	1138452 CAM, ESCAPEMENT
8	1090162 SPRING, CAM FOLLOWER
9	1092125 C-CLIP, CAM STUD
10	1123831 LINK, ESCAPEMENT
11	1127728 NUT, ESCAPE LINK
12	* 1123774 GUIDE ASM, TRIGGER
	FOR NEW STYLE SEE REF 19 AND 20
13	* 38262 SPRING, TRIGGER GUIDE
14	123491 SPRING, TRIGGER, 11"
15	* 1134884 SPRING, TRIGGER, 11"
15	1138795 SPRING, TRIGGER
16	1159369 TRIGGER ASM, 11"
	ABOVE SN 4615351
16	1159325 TRIGGER ASSEMBLY, 15"
	ABOVE SN 4612200
16	1133511 TRIGGER ASSEMBLY, 11"
16	1128101 TRIGGER ASSEMBLY, 15"
16	* 1124469 TRIGGER ASSEMBLY, 11"
17	1127733 SCREW, BRACKET
18	1128366 BRACKET, RH 15"
18	1159338 BRACKET, RH 15"
	ABOVE SN 4612100
19	1128226 STUD, TRIGGER GUIDE
20	37913 NUT, TRIGGER GUIDE STUD
21	1138334 BRACKET, LH 15"
22	1141928 SCREW, ESCAPEMENT BRKT FRONT
23	1141639 BRACKET, ESCAPEMENT
	USED ON IMP CONTROL C&R
23	1124087 BRACKET, ESCAPEMENT
	731 & 735 ABOVE S/N 4625895 USE
	P/N 1141523
23	1141532 BRACKET, ESCAPEMENT, USED
	WITH TAB GANG CLEAR
24	1128201 PAWL, ESCAPEMENT
25	1123827 SPRING, PAWL
26	1124098 STUD, PAWL MTG
26	1128301 STUD, PAWL MTG
	USED ABOVE 4086900 11" & 4386000 15"
27	1124085 RACK 10P 11"
27	1124109 RACK 12P 11"
27	1128032 RACK 10P 15"
27	1128037 RACK 12P 15"
28	1132713 SCREW, RACK
29	1141212 BAR ASM TORQUE 11"
	USED ABOVE S/N 4057225
29	1132282 BAR ASM TORQUE 11"
	USED BETWEEN SN 4057225 & 4012010
29	* 1132276 BAR ASM TORQUE 11"
29	1141220 BAR ASM TORQUE 15"
	USED ABOVE SN 4367458

REF. PART NO.	DESCRIPTION
29	1128107 BAR ASM TORQUE 15"
29	1272222 BAR ASM TORQUE 11"
	BELOW SN 4065000
29	1272223 BAR ASM TORQUE 15"
	BELOW SN 4375600
30	1100936 SPRING, TORQUE BAR
30	* 123491 SPRING, TORQUE BAR
	*USED ON 11" BELOW 4012015
31	1128216 STOP, TORQUE BAR
32	1127733 SCREW, STOP
33	219633 C-CLIP, TORQUE BAR
33	1141223 RETAINER
34	1127733 SCREW, BRKT MTG
35	257187 NUT, STUD
36	1128204 UPSTOP TRIGGER 15"
37	1128113 STUD, TRIGGER STOP
38**	1164582 SCREW
39**	1128400 STOP, TORQUE BAR
40**	1128401 STUD
	** MUST BE REPLACED WHEN REPLACING
	ANY ONE PART OF FORMER STYLE
	ORDER REF 41
42	1141073 SPRING TRIGGER 15"
43	1166517 CLIP TAB LEVER LATCH
52	1164027 SCREW, REAR
53	1272185 B/M ESCAPEMENT BRACKET
55	1159375 PLATE, TRIGGER ADJUSTMENT
	ABOVE SN 4615351 11"
56	108114 SCREW, TRIGGER ADJUSTMENT
	PLATE
	ABOVE SN 4612100

CODE - 515

ESCAPEMENT MECH.

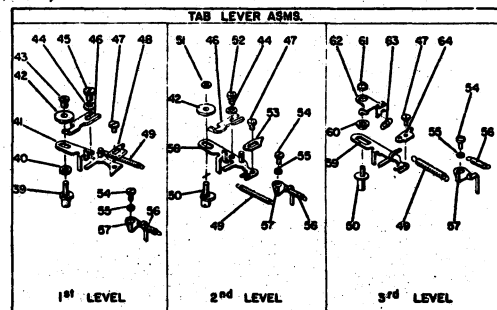
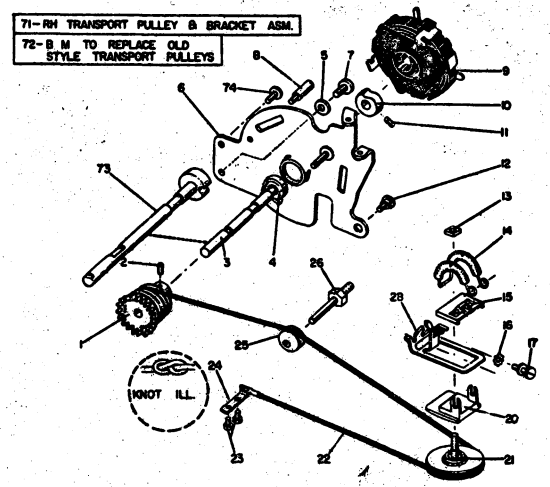


REF. PART NO.	DESCRIPTION
1	1124641 ESCAPEMENT CORD DRUM, 11"
1	1128108 ESCAPEMENT CORD DRUM, 15"
2	1100523 SCREW, CORD DRUM
3	1124462 SHAFT, ESCAPEMENT
4	1124506 BEARING
5	1141678 SPACER
6	1124503 PLATE, BACK
6	1128368 PLATE, BACK
	ABOVE SN 4615351 11" AND 4612100 15"
7	1164579 SCREW, BOTTOM
8	1133594 STUD, STOP
9	1124519 SPRING ASM, MAIN
9	1164342 SPRING ASM, 100"
10	1141300 HUB, ESCAPEMENT SPRING
11	1100523 SCREW, ESCAPEMENT HUB
12	1127733 SCREW, BACKPLATE
13	1134829 NUT, LOAD SPRING MTG
14	1128387 SPRING, TRANSISTOR LOAD
15	1128386 PIVOT, TRANSISTOR SPRING
16	56722 WASHER, LOCK
17	1141936 SCREW, PAPER BAIL SPRING
	PIVOT
	775 WITH ACOUSTIC HOOD USE PN
	1166984
20	1128385 SLIDE, PULLEY
21	1124634 PULLEY, RH TRANSPORT
22	1166416 CORD, TAB 11"
22	1166414 CORD, TAB 15"
23	* 38262 SCREW, TAB CORD ANCHOR
24	* 1124629 ANCHOR, TAB CORD
	*FOR ANCHOR AND SCREWS USED WITH
	IMP CONTROL C&R SEE CODE 508
	REF 74 & 75
25	1124628 PULLEY, IDLER
26	1124624 STUD, FRONT IDLER
28	1141979 BRACKET, RH
39	1124098 STUD, PAWL MTG
40	1128770 WASHER, TAB LEVER
41	1128768 LEVER, TAB
42	1135204 SPACER, TAB LEVER
43	1124095 NUT, TAB LEVER MTG
44	1124247 WASHER, LOWER LEVER SCREW
45	15887 SCREW, LOCKOUT LEVER

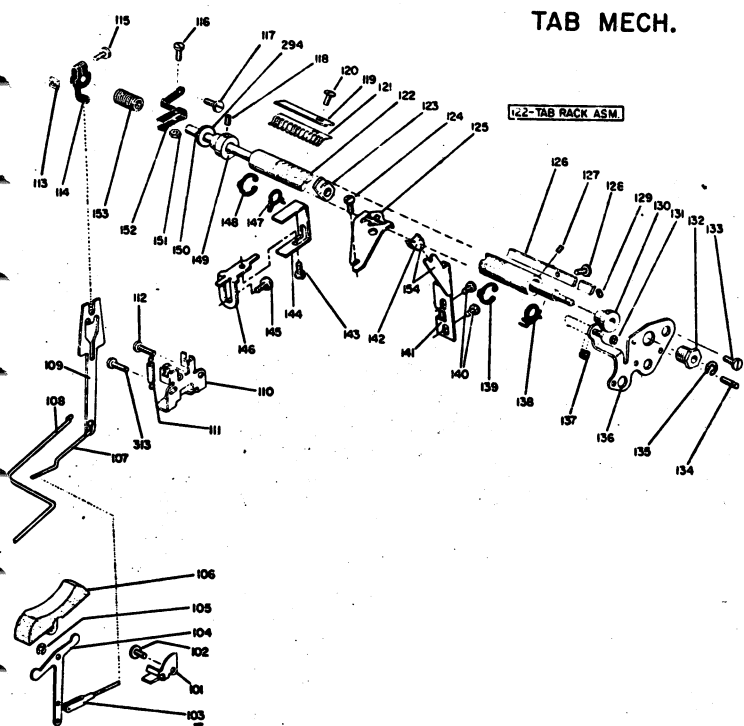
REF. PART NO.	DESCRIPTION
46	1128762 LEVER, TAB LOCKOUT
47	1138802 SCREW, TAB PAWL
48	1132097 PAWL, TAB LEVER
49	1091670 SPRING, TAB LEVER
50	1128301 STUD, PAWL MTG
	ABOVE 11" 4086400 AND 15" 4383600
51	37913 NUT, TAB LEVER MTG
52	358174 SCREW, LOCKOUT LEVER
53	1138801 PAWL, TAB LEVER
54	1132080 SCREW, LATCH
55	1132103 BUSHING, TAB LATCH
56	1073449 SPRING
57	1145516 LATCH, TAB LEVER
58	1135195 LEVER ASM, TAB
59	1138499 LEVER ASM, TAB
60	1128201 SPACER
61	1128290 NUT
62	1159201 TRIGGER
63	1072949 SPRING, TAB TRIGGER
64	1138801 PAWL, TAB LEVER
71	1280081 TRANSPORT PULLEY & BRKT
72	1271973 B/M TRANSPORT PULLEY ASM
73	1164561 SHAFT ASM, 1 PIECE
74	1141846 SCREW, TOP

CODE - 516

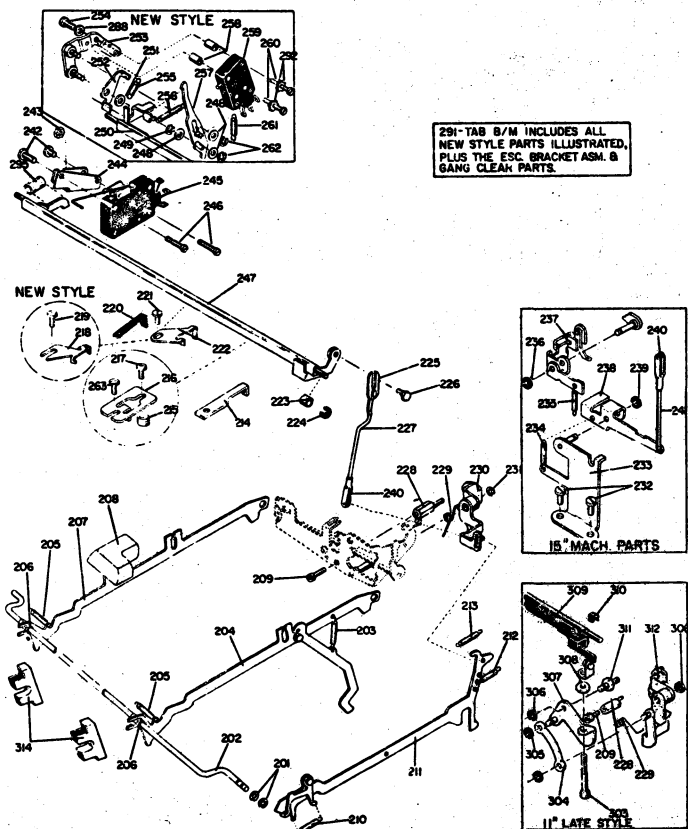
TAB MECH.



TAB MECH.



TAB MECH.



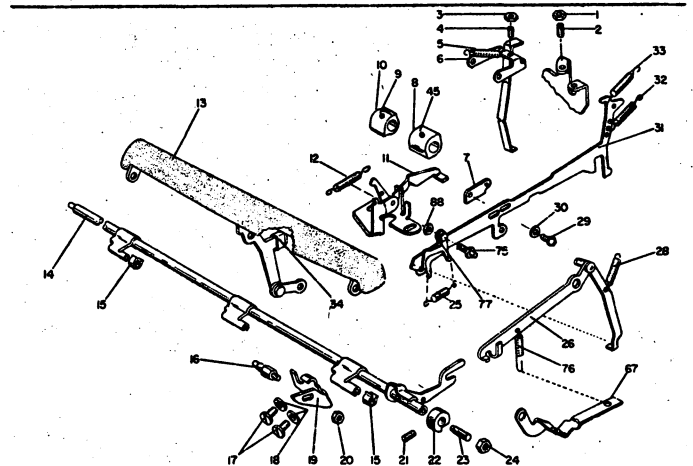
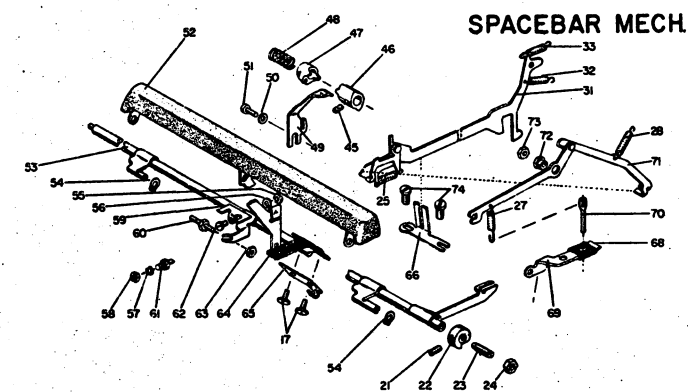
291-TAB B/M INCLUDES ALL NEW STYLE PARTS ILLUSTRATED, PLUS THE ESC. BRACKET ASM. & GANG CLEAR PARTS.

REF. PART NO.	DESCRIPTION	REF. PART NO.	DESCRIPTION
101	1127764 GUIDE, SET CLEVIS LINK	223	1141223 RETAINER
102	38351 SCREW, GUIDE MTG	224	219633 C-CLIP
103	1070020 CLEVIS LINK ASM		USED ON 11" BELOW 4057225 AND
103	1110529 CLEVIS LINK ASM	225	15" BELOW 4367458
104	1123520 USED ON IMP CONTROL CLR	226	1128763 PLATE, TAB LINK
104	1128787 KEYLEVER, SET & CLEAR	227	1128759 LINK, TAB ACTUATING
104	1128787 KEYLEVER	228	1128752 STOP, TAB BELLCRANK ECC
	USED ON MACHINES W/TAB SET CLEAR	229	1128751 SPRING, TAB BELLCRANK
	LOCKED	230	1128753 BELLCRANK ASM, TAB
105	1073418 C-CLIP	231	1073418 C-CLIP
106	1124875 KEYBUTTON, ENGRAVED	232	1164576 SCREW
106	1133808 KEYBUTTON, BLANK	233	1135312 BRACKET, MOUNTING
107	* 1134950 LINK, 11" MACHINE	234	1074242 SPRING, INTERPOSER LEVER
108	* 1142166 LINK, 15" MACHINE	235	1113643 SPRING
109	* 1134952 ARM, SET AND CLEAR	236	1073418 C-CLIP
110	* 1166619 BRKT, SET CLEAR	237	1135340 BELLCRANK ASM, TAB
111	1124290 SPRING, SET CLEAR	238	1166301 LEVER, TAB INTERPOSER
111	1144150 SPRING USED ON	239	1073418 C-CLIP
	MACHINES WITHOUT REF 152	240	1070020 CLEVIS, TAB ACTUATING
112	1164576 SCREW	241	1000223 LINK, TAB ACTUATING
113	* 1134829 NUT, SET CLEAR BRKT	242	1164580 SCREW
114	* 1123526 BELLCRANK, SET CLEAR	243	37913 NUT, TAB SWITCH BRKT MTG
115	* 1928 SCREW, SET CLEAR BRKT	244	1135036 BRKT, TAB SWITCH
	*REPLACEMENT OF ANY OF THESE PARTS	245	1159045 SWITCH ASSEMBLY, TAB
	ON EARLY STYLE MECHANISMS REQUIRE	246	438540 SCREW, SWITCH MTG
	REPLACEMENT OF ALL PARTS MARKED	247	1135241 BAR, TAB TORQUE 11"
	WITH AN ASTERISK.	247	1128764 11 INCH VERY EARLY
116	438549 SCREW, BRAKE ADJUSTING	247	1135343 BAR, TAB TORQUE 15"
117	1117759 SCREW	248	45639 WASHER
118	316744 SCREW, RACK PLUG	249	1159205 C-CLIP, BOWED
119	1141081 PLATE, SPRING 11"	250	1159198 TORQUE BAR 11"
119	1141080 PLATE, SPRING 15"	250	1159199 TORQUE BAR 15"
120	1164578 SCREW, PLATE	251	20038 SPACER
121	1134959 SPRING, STOP 12 PITCH	252	1159204 LEVER, TAB SWITCH ACTUA-
122	1124076 RACK 10P 11" MACHINE		TING
122	1128029 RACK 10P 15" MACHINE	253	1159194 BRKT ASM, TAB
122	1124110 RACK 12P 11" MACHINE	254	338238 SCREW
122	1128038 RACK 12P 15" MACHINE	255	1073449 SPRING, TAB SWITCH LEVER
123	1138402 SUPPORT, TAB STOP	256	1144928 SPRING, TAB TORQUE
124	1164027 SCREW, GANG CLEAR FINGER	257	1159203 LEVER, TAB SWITCH TRIGGER
125	1141270 GANG CLEAR FINGER	258	1159208 SPACER 15" ONLY
126**	1124073 BAR, TAB STOP 11"	259	1159207 SWITCH
126**	1128028 BAR, TAB STOP 15"	260	1159210 SCREW, SWITCH MTG 11"
127	251350 SCREW	260	1159209 SCREW, SWITCH MTG 15"
128**	338238 SCREW, RACK PLATE	261	1072703 SPRING, TRIGGER RESTORING
129	316744 SCREW, RACK PLUG	262	1073418 C-CLIP
130	1134961 PLUG TAB RACK	263	1164027 SCREW
131	219633 C-CLIP	288	257985 WASHER
	USED BELOW S/N 4057225	291	1272188 B/M TAB 15"
132	1124082 BUSHING, TAB RACK	291	1272189 B/M TAB ALL 11"
133	1164576 SCREW	292	358509 LOCKWASHER
134	1132212 PIN, TAB RACK PLATE	294	344239 SPACER
135	1132122 C-CLIP, TAB RACK	295	100237 SLEEVE, TORQUE BAR EX
136	1166089 PLATE ALL ABOVE SN 4612333	303	1159492 SCREW, TAB ADJUSTING
136	1141210 PLATE, TAB RACK ABOVE	304	1159491 LINK, POWER TAB
	4057225	305	219633 RETAINER
136	1266171 PLATE, 11"	306	1073418 RETAINER
	BETWEEN 4012015 AND 4057225	307	1159339 BELLCRANK ASSEMBLY
136	1124081 PLATE, 11"	308	1091057 NUT
	BELOW 4012015	309	1159489 TORQUE BAR ASSEMBLY
137	1141223 RETAINER, TAB TORQUE BAR	310	1141223 CLIP
138	1134953 STOP, FINAL TAB RACK	311	1155494 PIVOT POWER TAB
139**	1124075 STOP, FINAL TAB RACK	312	1159483 LATCH ASSEMBLY
140	1164577 SCREW	313	1164576 SCREW
141	1145423 BRKT, TAB RACK SUPPORT	314	1141269 SLEEVE, LATE STYLE
142	1128338 SHOE, TAB RACK SUPPORT		
143	265195 SCREW		
144	1144907 GUIDE, ESCAPEMENT TORQUE		
145	803278 SCREW		
146	1144906 BRKT, ESCAPEMENT TORQUE		
147	1134960 STOP, TAB		
148**	1124074 STOP, TAB		
	**PARTS USED ON 11" MACH BELOW		
	4009050 15" BELOW 4013500		
149	1134961 PLUG, TAB RACK		
150	1134962 SHAFT, 11" MACHINE		
150	1134963 SHAFT, 15" MACHINE		
151	1134635 NUT, BRAKE		
152	1127765 BRAKE, TAB RACK, OLD		
	FOR REPLACEMENT ONLY		
153	1164289 SPRING, BRAKE		
154	1145422 BRKT ASM RACK SUPPORT		
201	1073418 C-CLIP		
202	1128891 BAIL, POWER TAB		
203	1071449 SPRING, KEYLEVER PAWL		
204	1128859 KEYLEVER TAB RH		
205	1073863 SPRING, KEYLEVER		
206	1073866 BUSHING, TAB BAIL		
207	1128862 KEYLEVER TAB LH		
208	1124890 KEYBUTTON, TAB		
208	1133312 KEYBUTTON, WORKMARK		
208	1133809 KEYBUTTON, BLANK		
209	186923 SCREW, STOP MTG		
210	1073863 SPRING, INTERPOSER		
211	1128674 INTERPOSER, TAB		
212	1134948 SPRING, INTERPOSER		
213	1073449 SPRING, TAB LATCH		
214	1135617 SUPPORT, TORQUE BAR		
215	1145409 COLLAR, TAB TORQUE BAR		
216	1145408 BRKT, TAB TORQUE BAR		
	SUPPORT		
217	1164582 SCREW		
218	1159202 STOP, OVERTHROW		
219	1164027 SCREW, TAB OVERTHROW		
220	1134711 SUPPORT, TORQUE BAR		
	USED BELOW 4005450		
221	1164027 SCREW, TAB OVERTHROW		
222	1127744 STOP, OVERTHROW		

CODE-516

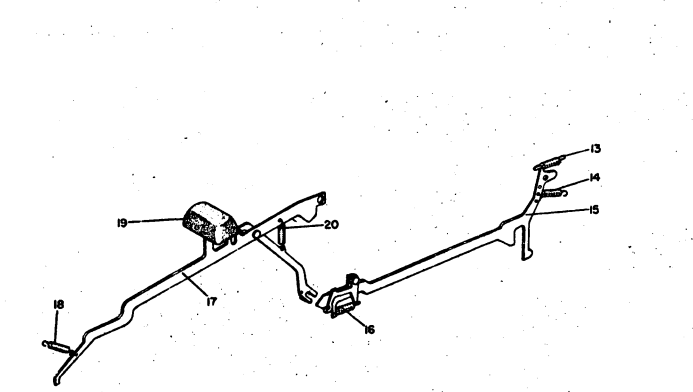
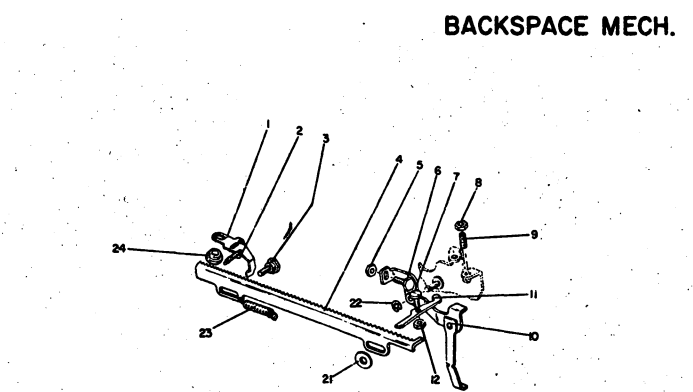
AUG. 15, 1966

REF. PART NO.	DESCRIPTION	REF. PART NO.	DESCRIPTION
1	37913 NUT, LATCH SCREW	56**	257984 WASHER, SCREW
2	1141071 SCREW, LATCH ADJUSTING	57	6364 WASHER, SPACEBAR STOP
3	37913 NUT, LATCH SCREW	**USED ON MACHINES BELOW 4011200	
4	1141071 SCREW, LATCH ADJUSTING	58	1127722 NUT, SPACEBAR STOP
5	1100937 SPRING, SPACEBAR LATCH	59**	1132042 STOP, SPACEBAR
6	1128374 LATCH ASSEMBLY	60	1132088 STOP, SPACEBAR GUIDE
ABOVE SN 4615351 11" & 4612100 15"		61	1134824 STOP, SPACEBAR
6	1124476 LATCH ASM, 11"	62**	1164580 SCREW
6	1128105 LATCH, SPACEBAR 15"	63	8506 NUT, GUIDE STUD
7	1138805 KEEPER, SPACEBAR	64	1133671 SPRING, SPACEBAR
8	1138452 CAM, ESCAPEMENT	64	1123973 SPRING - EARLY
9	257969 CAM, SPACEBAR INTERLOCK	65	1133687 PLATE, SPACEBAR SPRING
10	1145478 CAM, SPACEBAR INTERLOCK	66	1134852 GUIDE, INTERPOSER
11	1138454 LEVER ASM, SPACEBAR INTERLOCK	67	1134977 BRACKET, BAIL
12	1090343 SPRING, SPACEBAR LOCKOUT	68	1134710 NUT, ADJUSTING SCREW
13**	1266879 KEYBUTTON, SPACEBAR-GRAY	69	1124014 BRACKET, REPEAT
14**	1141103 SHAFT ASM, SPACEBAR	USED ON MACHINES BELOW 4010750	
15**	1128270 CLIP, SPACEBAR	70	1134709 SCREW, ADJUSTING
16**	1141106 STUD, SPACEBAR GUIDE	71	1123982 LEVER ASSEMBLY, SPACEBAR
17	1164576 SCREW	USED BELOW 4064000 & 4370500	
18**	1090970 WASHER, SPACEBAR SUPPORT	71	1138469 LEVER ASSEMBLY, SPACEBAR
19**	1141105 SUPPORT, SPACEBAR	USED WITH NEW STYLE SB INLK BELOW 4083195, 4704072 & 4380816	
20**	37913 NUT, SPACEBAR GUIDE	72	1123977 ECCENTRIC, SPACE
21	257957 SCREW, SET	73	37913 NUT, SPACEBAR LEVER
22	1128883 COLLAR, SPACEBAR LOCKOUT	74	1127733 SCREW, INTERLOCK
23	1123987 SCREW, SPACEBAR SHAFT	75	1272940 SCREW
24	38051 NUT, SHAFT SCREW	76	1164086 SPRING, SPACEBAR LEVER
25	1073863 SPRING, INTERPOSER	77	1124555 LATCH, INTERPOSER
26**	1128271 LEVER ASSEMBLY	88	1272939 NUT
**USED ON MACHINES ABOVE SN 408319 AND 4380816			
27	1134708 SPRING, SPACEBAR LEVER		
28	123491 SPRING, KEYLEVER		
29	1127714 SCREW, SPACEBAR INTER-KEEPER		
30	1090472 WASHER, SPACEBAR INTER-KEEPER SCREW		
**USED ABOVE SN 4064000-11" AND SN 4370500-15"			
31	1134865 INTERPOSER-OLD-SPACEBAR		
31	1135229 INTERPOSER-NEW-SPACEBAR		
32	150047 SPRING, INTERPOSER		
33	1072703 SPRING, LATCH		
34	1073866 SLEEVE, SPACEBAR STEM		
45	257969 SCREW, CAM		
46	1124538 CAM, ESCAPEMENT		
47	1134848 CAM, SPACEBAR LOCKOUT		
48	1134851 SPRING, SPACEBAR LOCKOUT		
49	1134850 GUIDE, CAM		
50	355341 WASHER, SCREW		
51	38261 SCREW, CAM GUIDE		
52	1271552 BUTTON, SPACEBAR GRAY		
53	1123979 SHAFT ASM, SPACEBAR		
BELOW 4007000 ORDER THE SHAFT AS BUTTON ASM AND TWO RETAINERS. FOR MACHINES BELOW 4002150, ORDER THE SHAFT ASM, BUTTON ASM, TWO RETAINERS, AND B/M 1271551.			
54	528552 RETAINER		
55**	1127763 NUT, STOP SCREW		

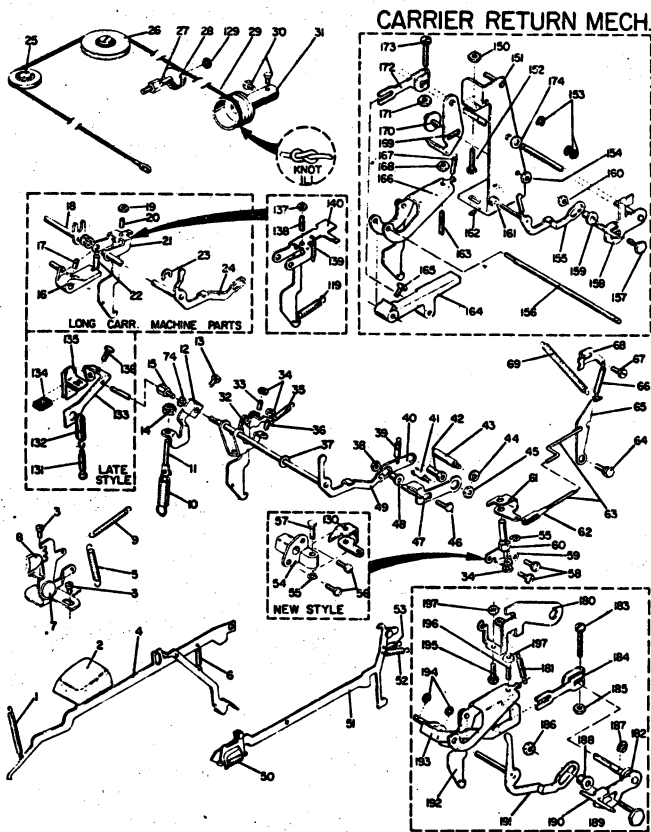


CODE - 517

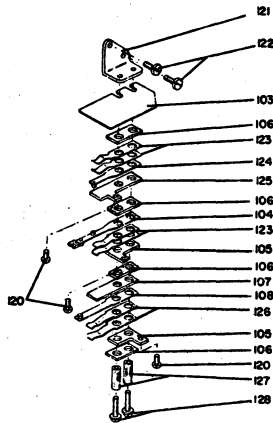
REF. PART NO.	DESCRIPTION	REF. PART NO.	DESCRIPTION
1	1128202 PAWL, BACKSPACE		
1	1141536 PAWL, BACKSPACE		
USED WITH GANG CLEAR			
2	1132064 SPRING, BACKSPACE PAWL		
3	1124614 STUD, BACKSPACE RACK MTG		
4	1124618 RACK, BACKSPACE 10 PITCH 11" MACHINE		
4	1128025 RACK, BACKSPACE 10 PITCH 15" MACHINE		
4	1124568 RACK, BACKSPACE 12 PITCH 11" MACHINE		
4	1128024 RACK, BACKSPACE 12 PITCH 15" MACHINE		
5	37913 NUT, STUD BELLCRANK		
6	1124612 STUD, BACKSPACE BELLCRANK		
7	1124615 STUD, BACKSPACE INTER-MEDIATE LEVER		
8	37913 NUT, SCREW LATCH ADJUSTING		
9	1132098 SCREW, BACKSPACE LATCH ADJUSTING		
10	1124489 LATCH ASM, BACKSPACE		
10	1159485 LATCH ASM, BACKSPACE		
ABOVE SN 4615351 11" & 4612100 15"			
11	1138799 LEVER, INTERPOSER 10P		
11	1138800 LEVER, INTERPOSER 12P		
11	1124613 LEVER, INTERPOSER 10P		
11	1132204 LEVER, INTERPOSER 12P		
*USED BELOW APPROX S/N 4012015			
12	37913 NUT, INTERMEDIATE LEVER MTG		
13	1072703 SPRING, BACKSPACE LATCH		
14	1134948 SPRING, OPERATING INTERPOSER		
15	1128674 INTERPOSER, BACKSPACE		
16	1073863 SPRING, INTERPOSER PAWL		
17	1133686 KEYLEVER, BACKSPACE		
18	1071687 SPRING, BACKSPACE KEYLEVER		
19	1124450 KEYBUTTON ET		
20	1071449 SPRING, BACKSPACE KEYLEVER PAWL		
21	1124616 SPACER, BACKSPACE RACK		
22	1073418 RETAINER, BACKSPACE LATCH		
23	1091618 SPRING, RACK 11"		
23	58852 SPRING, RACK 15"		
24	1124094 SPACER, BACKSPACE PAWL		



CODE - 518



CARRIERS RETURN MECH.



IOI-CONTACT ASM.

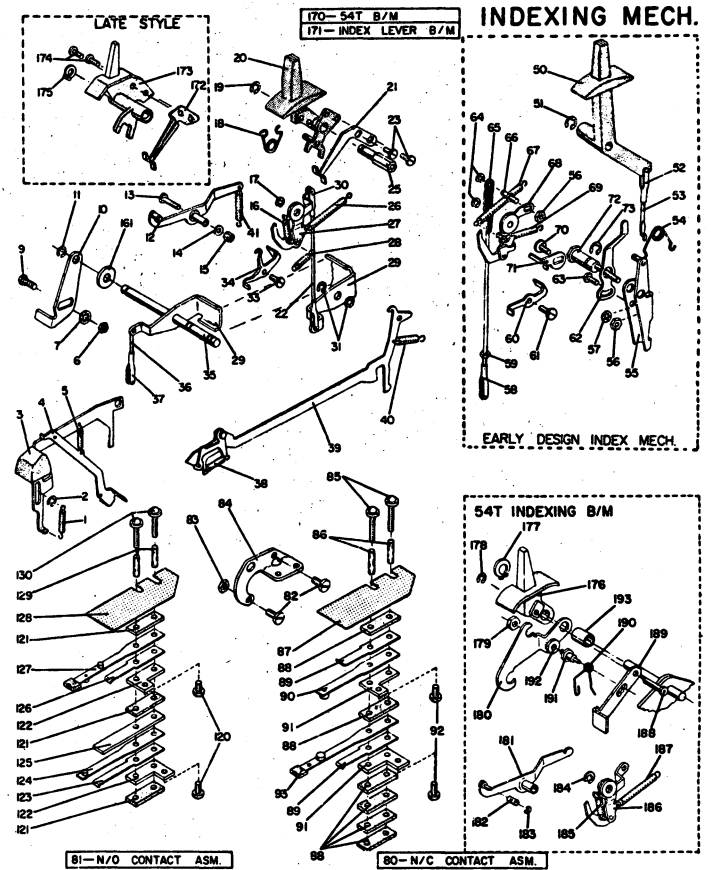
REF. PART NO.	DESCRIPTION	REF. PART NO.	DESCRIPTION
1	123491 SPRING, KEYLEVER	138	1159286 SCREW, LATCH ADJUSTING
2	1124870 KEYBUTTON, ALL OTHERS	139	1100937 SPRING, C.R. LATCH
3	1124876 SCREW ARM ASM MTC	140	1164105 ARM ASM, C.R. LATCH
4	322065 SCREW, RH LONG	150	37913 NUT
4	1133681 KEYLEVER	151	1159321 BRACKET ASSEMBLY
4	1159362 KEYLEVER 775	152	1159286 SCREW
5	43373 SPRING, C.R. SHOE	153	1092125 RETAINER
6	1071449 SPRING, C.R. KEYLEVER PAWL	154	REF ONLY SEE INDEX MECH
7	1132003 ARM ASM	155	1159327 ARM ASM, C.R. LATCH ACT.
8	1128338 SHOE, C.R.	156	1159334 PIN, LH OPERATING PIVOT
8	1124478 SHOE, C.R. 4600120	157	1124610 STUD, LATCH ECCENTRIC
9	FOR MACHINES BELOW 4600120	158	1159818 LATCH ASSEMBLY
9	1128325 SPRING, ACTUATING ARM	159	1128169 SPACER
9	1117589 SPRING, SHORT	160	37913 NUT
	USED ON MACHINES WITH OLD C.R. ACT. ARM - HOOKED BETWEEN ACTUATING ARM AND ESCAPEMENT BACK PLATE.	161	1159336 COLLAR
	SPRING REF 39 SHOULD BE REMOVED.	162	257957 SCREW, SET
10	1132007 SPRING, C.R. ACTUATING	163	1141072 SCREW
11	1132000 STUD, ACTUATING ARM SPRING	164	1166212 LEVER ASSEMBLY
12	1133610 HUB, CLUTCH ARM	165	338238 SCREW, LEVER ASSEMBLY
13	1124775 SCREW, C.R. HUB	166	1166214 LATCH ASSEMBLY
14	1138462 NUT, C.R. SHOE ADJUSTING	167	1100937 SPRING, LATCH
15	1133549 SCREW, C.R. C1 ARM	168	37913 NUT
16	1128125 LEVER ASM, C.R.	169	REF ONLY SEE INDEX MECH
17	338238 SCREW, C.R. LEVER MTG.	170	REF ONLY SEE INDEX MECH
18	1128122 LEVER ASM, C.R. LATCH	171	38051 NUT
19	37913 NUT, C.R. LATCH SCREW	172	1159335 ARM, INTERMEDIATE
20	1159298 SCREW, LATCH ADJUSTING	173	236550 SCREW
20	1159286 REF 138	174	1090336 WASHER
	USED ABOVE SN 4608386	180	1159493 BRACKET
21	1128103 ARM ASM, C.R. LATCH	181	1100937 SPRING
22	1128008 SPRING, C.R. LEVER	182	1090336 SPACER
23	1073418 C-CLIP, LATCH ARM	183	322065 SCREW
24	1128099 ARM ASM, C.R. LATCH	184	1159335 ARM, INTERPOSER LATCH
25	1124638 PULLEY, LH FRONT	185	38051 NUT
26	1124567 PULLEY, LH REAR	186	37913 NUT
27	1124453 STUD, REAR IDLER	187	1092125 RETAINER
28	1124628 PULLEY, REAR IDLER	188	1128169 SPACER
29	1166414 CORD, C.R. 11"	189	1124610 STUD, LATCH ECCENTRIC
29	1166415 CORD, C.R. 15"	190	1159374 LATCH ARM
30	1149479 SCREW, C.R. CORD DRUM	191	1159372 ARM ASM, C.R. LATCH ACT.
31	1124463 DRUM, C.R. CORD	192	1166214 LATCH ASSEMBLY
32	1124672 ARM ASM, C.R. LATCH	193	1159479 LEVER, CARRIER RETURN
33	1132098 SCREW, C.R. LATCH ADJUST.	194	1092125 RETAINER
34	37913 NUT, ADJUSTING	195	1159286 SCREW, ADJUSTING
35	123491 SPRING, C.R. LATCH ARM	196	1141072 SCREW, ADJUSTING
36	1132098 SCREW, C.R. ADJUSTING	197	37913 NUT
37	1090394 WASHER, C.R. ACTUATING ARM		
38	37913 NUT, CLUTCH ECCENTRIC		
39	FOR REFERENCE ONLY		
40	1138110 LINK, C.R. LATCH ON MACHINES WITH OLD STYLE C.R. ACTUATING ARM REMOVE REF 39 AND INSTALL REF 9		
41	* 1124766 STUD, MULTIPLE LEVER		
42	* 1124767 BUSHING, MULTIPLE LEVER		
43	1134957 STUD, PRESSED IN THE SIDE FRAME		
44	1092125 C-CLIP		
45	* 257186 NUT, MULTIPLE LEVER		
	*USED ON MACHINES BELOW 4012015		
46	1124610 STUD, LATCH ECCENTRIC		
47	1128168 LATCH, C.R. CLUTCH		
47	1124608 LATCH, C.R. CLUTCH		
	BELOW SN 4012015		
48	1128169 SPACER, C.R. CLUTCH		
48	1124609 SPACER 11"		
	BELOW SN 4012015		
49	1133608 ARM, C.R. LATCH ACTUATING FOR MACHINES BELOW 4001844 ALSO ORDER 1133609 ARM 1133610 HUB 1133549 SCREW AND 1124775 SCREW		
50	1073863 SPRING, INTERPOSER PAWL		
51	1128673 INTERPOSER, C.R.		
52	1134948 SPRING, C.R. INTERPOSER		
53	1072703 SPRING, C.R. LATCH		
54	1141230 BUSHING RH 11"		
54	1141231 BUSHING RH OTHER		
55	264641 C-CLIP		
56	1164582 SCREW, RH BUSHING		
57	1141228 STUD, CLUTCH UNLATCHING		
58	1164576 SCREW, BRKT MTG		
59	1128167 BRKT, C.R. UNLATCHING		
60	1123627 STUD, C.R. UNLATCHING		
61	1123628 BELLCRANK, C.R. UNLATCHING		
62	1070020 CLEVIS		
63	1124600 LINK, C.R. UNLATCHING		
63	1164171 LINK, C.R. UNLATCHING		
	USED ABOVE SN 4607315		
64	1123629 STUD, C.R. KEEPER		
65	1123631 KEEPER, C.R. LATCH		
66	150735 SPRING, C.R. KEEPER		
67	322065 SCREW LOCK 11"		
67	1128113 SCREW LOCK 15"		
68	1127737 LOCK, TAB RACK BUSHING		
69	1115017 SPRING, COVER INTERLOCK		
74	56722 LOCKWASHER		
101	1159589 CONTACT ASSEMBLY		
	USED WITH TILT UP COVERS		
103	1108350 SHIELD, CONTACT		
104	1128744 STRAP ASSEMBLY, O/S		
105	339109 TERMINAL CONTACT		
106	37435 INSULATOR		
107	326119 SUPPORT, CONTACT STRAP		
108	1128745 STRAP ASSEMBLY, N/O		
119	1144928 SPRING, ARM ASM CR LATCH		
120	118418 SCREW, TERMINAL		
121	1128749 BRKT, CONTACT ASM MTG		
122	1164582 SCREW, CONTACT ASM MTG		
123	1135466 SPRING, BACKUP		
124	1128746 STRAP ASSEMBLY N/C		
125	1128743 TERMINAL CONTACT		
126	1135467 SPRING, BACKUP		
127	100229 INSULATOR		
128	173205 SCREW, CONTACT MTG		
129	1073418 C-CLIP		
130	1128397 BELLCRANK, CLUTCH UNLATCHING		
131	1141173 STUD, C.R. ARM		
132	1141172 SPRING, C.R. ARM		
133	1141245 ARM, C.R. CLUTCH		
134	1164799 BLOCK, RUBBER		
135	1141290 CLIP, C.R. ARM		
136	1124775 SCREW, C.R. HUB		
137	37913 NUT, LATCH ADJUSTING		

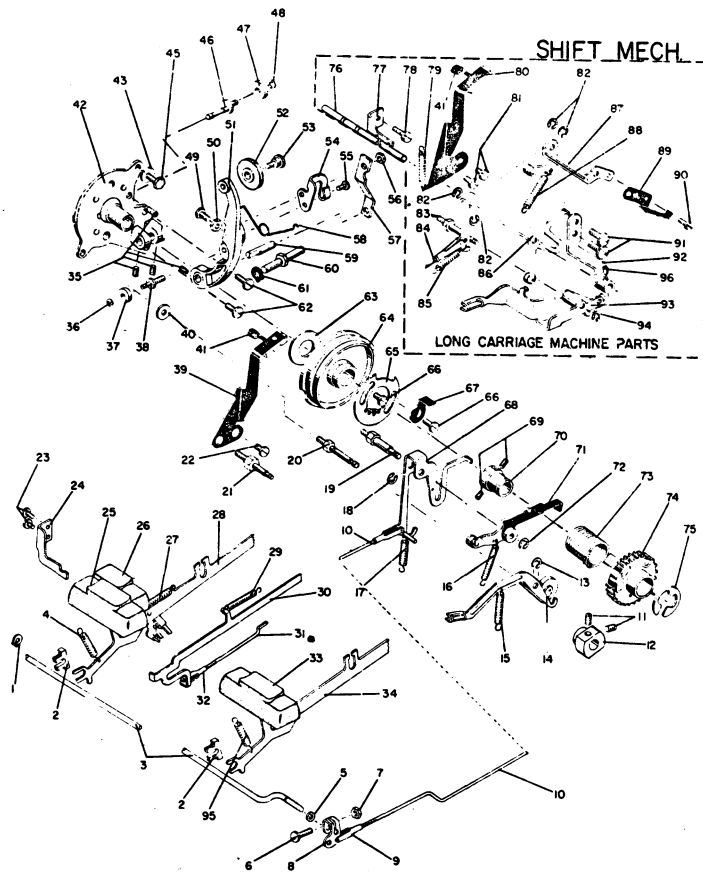
CODE-519

AUG. 15, 1966

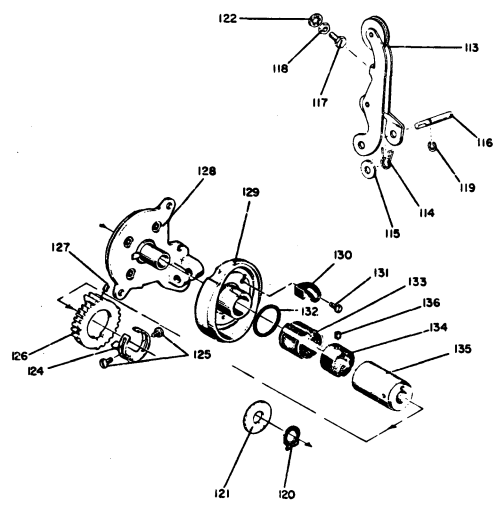
REF. PART NO.	DESCRIPTION
1	177939 SPRING, INDEX KEYLEVER
2	1073418 C-CLIP
3	1124850 KEYLEVER BUTTON ET
4	1128429 KEYBUTTON, REV. CARR. RET.
4	1123984 KEYLEVER, INDEX
4	1159193 KEYLEVER, INDEX
USED ABOVE SN 4605252	
5	1071449 SPRING, KEYLEVER PAWL
6	257187 NUT, 15" MACHINE
7	1090622 WASHER, 15" MACHINE
9	1128411 SCREW, SEMS 11"
9	340191 SCREW, 15" MACHINE
10	1135167 LEVER, 24T
11	1141558 LEVER 24T
11	1092125 C-CLIP, 15" MACHINE
12	1128975 DETENT 36T
ALSO ORDER REF 13 AND 14	
12	1138122 DETENT ASSEMBLY, 27T
ALSO ORDER REF 13 AND 14	
12	1144561 DETENT ASSEMBLY, 24T
ALSO ORDER REF 13 AND 14	
13	1128302 SCREW, DETENT ASSEMBLY
ALSO ORDER REF 12 AND 14	
14	257984 WASHER, DETENT
ALSO ORDER REF 12 AND 13	
14	1127741 SPACER, DETENT PIN FEED
15	1127763 NUT, DETENT STUD
16	1107795 SPRING, INDEX PAWL
17	264641 C-CLIP
18	1124396 SPRING, INDEX SELECTOR LEVER
19	1092125 C-CLIP
20	1135456 LEVER, INDEX SELECTOR
20	1135265 LEVER, INDEX, ALL METAL
20	1166071 LEVER, INDEX SELECTOR 54T
21	1128076 LEVER, CAM 27T 36T
21	1141559 LEVER, CAM 24T
22	1134956 LINK, INDEX, 11"
22	1128083 LINK, INDEX, 15"
23	1164576 SCREW
25	1128084 STUD, INDEX SELECTOR LEVER
USED ON ALL 11" & 15" MACHINES ABOVE 4012015	
26	1133667 SPRING, INDEX
27	1128018 CARRIER, INDEX PAWL
28	1133668 SPRING, INDEX PAWL
29	1166186 LEVER, INDEX 15"
30	1070020 CLEVIS
30	* 1164127 CLEVIS
*USE ON MACHINES ABOVE SN 4602500	
31	1092125 C-CLIP, 15" MACHINE
33	1164582 SCREW, PLATEN STOP
34	1128017 STOP, PLATEN OVERTHROW
35	1128081 SHAFT, 15" MACHINE
36	1128079 LINK, 15" MACHINE
37	1127727 CLEVIS
37	1164127 CLEVIS, LOCKING
38	1073863 SPRING, INTERPOSER PAWL
39	1128674 INTERPOSER, INDEX
40	1134948 SPRING, INTERPOSER
EARLY STYLE INDEX	
41	1133663 SPRING, DETENT
50	1124764 LEVER, INDEX SELECTOR
51	1092125 C-CLIP
52	1070020 CLEVIS
53	1014536 LINK, INDEX SELECTOR
54	1132173 SPRING, INDEX SELECTOR
55	1123532 LEVER, INDEX MULTIPLE
56	38214 NUT, LEVER STOP SCREW
57	62031 WASHER
58	1127727 CLEVIS
58	1164127 CLEVIS, LOCKING
59	1127728 NUT
60	1132161 STOP, PLATEN OVERTHROW
61	1117759 SCREW, PLATEN STOP
62	1132162 STOP, INDEX, MULTIPLE LEVER
63	1164582 SCREW, LEVER STOP
64	264641 C-CLIP
65	1124772 LINK, PAWL CARRIER
66	1132158 STUD, INDEX LINK
67	1132164 SPRING, INDEX PAWL CARRIER
68	1124756 CARRIER ASM, INDEX PAWL
69	1115017 SPRING, INDEX PAWL
70	1117759 SCREW, UP-STOP
71	1124762 STOP, UPPER INDEX
72	1124766 STUD, CONTROL LEVER
73	1092125 C-CLIP
CONTACTS	
80	1135002 N/C CONTACT ASSEMBLY
81	1135212 N/O CONTACT ASSEMBLY
82	1164579 SCREW
83	38051 NUT
84	1135001 BRACKET, CONTACT MOUNTING
85	173205 SCREW, CONT MOUNTING
86	100229 INSULATION, SCREW
87	1108350 SHIELD, CONTACT
88	37435 INSULATION, CONTACT
89	1135466 SPRING, CONTACT BACKUP
90	1135474 CONTACT STRAP
91	339109 TERMINAL CONTACT
92	118418 SCREW, TERMINAL
93	1135479 CONTACT STRAP
120	118418 SCREW, TERMINAL
121	37435 INSULATOR CONTACT
122	339109 TERMINAL CONTACT
123	1135467 SPRING CONTACT BACKUP
124	1128745 CONTACT STRAP N/O
125	326119 SUPPORT, CONTACT STRAP
126	1135466 SPRING, CONTACT BACKUP
127	1128744 CONTACT OPERATING STRAP
128	1108350 SHIELD CONTACT
129	114045 INSULATION SCREW
130	173202 SCREW, CONTACT MOUNTING
161	1100668 WASHER
170	1164464 B/M 54T
ORDER REF. 176 ALSO	
171	1272719 B/M INDEX LEVER AND OPERATING SHAFT SUPPORT
172	1128477 LEVER CAM 27T 36T
173	1135456 LEVER, INDEX SELECTOR
174	1141776 SCREW
175	1115633 RETAINER
176	1166071 LEVER, INDEX SEL. 54T
177	1115633 GRIP CLIP
178	1073418 RETAINER
179	38051 NUT
180	1141598 BRACKET, INDEX
181	1141596 ARM, DETENT
182	1141601 ROLLER, DETENT 54T
183	251989 RETAINER

REF. PART NO.	DESCRIPTION
184	1073418 RETAINER
185	1107795 SPRING, INDEX PAWL VERTICAL
186	1141595 CARRIER ASM, 54T
187	1133667 SPRING, INDEX & CARRIER
188	1141600 STUD, INDEX LEVER
189	1141599 LEVER, INDEX 54T
190	1141603 SPRING, INDEX LEVER
191	1141602 STUD, INDEX BRKT
192	1091220 WASHER
193	1141605 SPACER, INDEX LEVER
CODE - 520	





SHIFT MECH.



REF. PART NO.	DESCRIPTION	REF. PART NO.	DESCRIPTION
1	1118361 RETAINER, BAIL	128	1166368 PLATE, SHIFT, 15"
2	1142259 SLEEVE, SHIFT KEYLEVER		ALSO 731 WITHOUT PERMISSIVE MAKE CONTACT
3	1132259 BAIL, SHIFT	128	1166371 PLATE, SHIFT, 11"
4	1072703 SPRING, KEYLEVER LH		USED WITH PERMISSIVE MAKE CONTACT
5	1138455 WASHER, SHIFT BAIL	129	1166375 CAM, SHIFT
6	1928 SCREW, SHIFT BELLCRANK	130	1123810 OVERTHROW STOP
7	1134829 NUT, SHIFT BAIL BELLCRANK	-31	1164584 SCREW, STOP
8	1124285 BELLCRANK, SHIFT BAIL	132	1166256 O-RING
9	1070020 CLEVIS, SHIFT RELEASE LEVER	133	1166381 SPRING, SHIFT CLUTCH
10	1128935 LINK, ARM SHIFT RELEASE	134	1166362 ARBOR, SHIFT CLUTCH
11	1100523 SCREW, SHIFT INTERLOCK	135	1166369 SLEEVE, SHIFT ASSEMBLY
12	1124284 CAM, SHIFT INTERLOCK		INCLUDES REF. 124 & 125
13	1073418 C-CLIP, SHIFT DETENT	136	257969 SCREW, SHIFT ARBOR
14	1133596 DETENT, SHIFT CAM		
15	1124722 SPRING, SHIFT DETENT		
16	1090162 SPRING, SHIFT INTERLOCK		
17	1072703 SPRING, SHIFT RELEASE		
18	264641 RETAINER, SHIFT RELEASE ARM		
19	1141648 STUD, SHIFT RELEASE		
	USED ON IMP CONTROL C&R		
19	1132286 STUD, SHIFT RELEASE		
20	1124697 STUD, SHIFT DETENT ARM		
	*BELOW MACHINE SER #4002000 RE-PLACEMENT OF PART 1124697 OR 1133596 REQUIRES REPLACING BOTH		
21	1133501 STUD, SHIFT DETENT SPRING		
22	1164576 SCREW, SHIFT BRAKE		
23	1164582 SCREW, SHIFT LOCK BRKT		
24	1124040 BRACKET, SHIFT LOCK		
25	1132259 KEYBUTTON LH		
26	1132266 KEYBUTTON LK		
27	1074242 SPRING, SHIFT LOCK		
28	1128871 KEYLEVER		
29	1107794 SPRING, SHIFT LOCK INTER-POSER		
30	1128893 INTERPOSER, SHIFT UNLOCK		
31	1135604 LINK, LOCKOUT		
32	1070020 CLEVIS, LOCKOUT LINK		
33	1132252 KEYBUTTON RH		
34	1133672 KEYLEVER, RH SHIFT		
35	257969 SCREW, SHIFT ARM PIVOT		
36	251989 RETAINER, CAM ROLLER		
37	1124259 ROLLER, SHIFT ARM		
38	1159109 SHAFT, ROLLER		
39	1132029 BRAKE, SHIFT CAM		
40	22066 WASHER, SHIFT DETENT STUD		
41	1124773 DAMPER, BRAKE ARM		
42	1135039 PLATE, SHIFT ARM		
42	1159969 PLATE, 11 INCH PERMISSIVE MAKE CONTACTS		
43	1090050 SPACER, STOP SCREW		
45	1124775 SCREW, SHIFT STOP		
46	1123807 SHAFT, ECCENTRIC		
47	1124292 ROLLER, CAM BACKUP		
48	1073418 C-CLIP, ROLLER ECCENTRIC		
49	1141215 SCREW, SHIFT ARM		
50	1141030 NUT, SCREW SHIFT		
51	1124261 ARM, SHIFT		
52	1124267 PULLEY, RH ROTATE		
53	1124268 SCREW, RH ROTATE PULLEY		
54	1128971 TAB, SHIFT ARM		
55	15887 SCREW, TAB SHIFT ARM		
56	38051 NUT, ROLLER SHAFT		
57	1128785 BRACE, SHIFT ARM		
58	1128471 SPRING, SHIFT ARM		
59	1124266 PIN, PIVOT, SHIFT ARM		
60	1138463 PIN, SHIFT ARM		
	USED ON MACHINES BELOW SN 400500		
61	1115633 RETAINER		
62	1164576 SCREW, MOUNTING PLATE		
63	1124819 WASHER, SHIFT CAM		
	USED ON MACHINES BETWEEN SER# 4005325 AND 4014850		
64	1135639 CAM, SHIFT		
65	1124273 PLATE, SHIFT CLUTCH SPRING RELEASE		
66	1164584 SCREW, SHIFT BACKSTOP		
67	1123810 STOP, SHIFT CAM		
68	1128932 ARM, SHIFT RELEASE		
69	257969 SCREW, SET, SHIFT ARBOR		
70	1124271 ARBOR, SHIFT CLUTCH		
71	1124276 ARM ASSEMBLY, INTERLOCK		
72	1073418 CLIP, SHIFT INTERLOCK		
73	1132287 SPRING, SHIFT CLUTCH		
74	1132123 RATCHET, 11" MACHINE		
74	1159409 RATCHET, 15" MACHINE		
75	219743 C-CLIP, SHIFT RATCHET		
76	1128190 SHAFT, RELEASE 15"		
77	1128195 BRACKET, SHIFT SPRING		
78	38351 SCREW, BRACKET		
79	1124722 SPRING, DETENT		
80	1128199 BRAKE, SHIFT 15"		
81	1164576 SCREW, BRAKE MOUNTING		
82	264641 C-CLIP, SHIFT RELEASE, 15"		
83	1124697 STUD, DETENT 15"		
84	1135304 LINK, SHIFT RELEASE		
84	1128935 LINK, SHIFT RELEASE		
	USED ON MACH ABOVE SN 4615040		
85	1072703 SPRING, SHIFT RELEASE		
86	1135320 ARM, SHIFT RELEASE 15"		
87	1128192 ARM ASSEMBLY, 15"		
88	1090162 SPRING, SHIFT INTERLOCK		
89	1128193 ARM, SHIFT INTERLOCK SPRING 15"		
90	358174 SCREW, SHIFT INTERLOCK		
90	1138353 SCREW, EARLY		
	USED WITH WASHER PN 1090630		
91	1164576 SCREW, BRACKET 15"		
92	1128189 BRACKET, SHIFT SUPPORT		
93	1159782 DETENT, SHIFT CAM		
94	1073418 C-CLIP, DETENT ARM		
95	1073863 SPRING, RH KEYLEVER		
96	257957 SCREW, RELEASE SHAFT		
113	1159799 SHIFT ARM 731-735-775		
114	1128303 SPRING		
115	1090254 WASHER		
116	1143392 PIN, PIVOT		
117	1128356 SCREW, STOP		
118	38051 NUT, SCREW LOCKING		
119	1092125 RETAINER		
	USED ABOVE SN 4619427		
120	1133746 RETAINER		
121	1166557 WASHER, THRUST		
122	56722 WASHER, LOCK		
124	1166380 STOP, SHIFT RATCHET		
126	1166384 RATCHET, 11"		
126	1166385 RATCHET, 15"		
127	1124836 SCREW, RATCHET - 1137196		

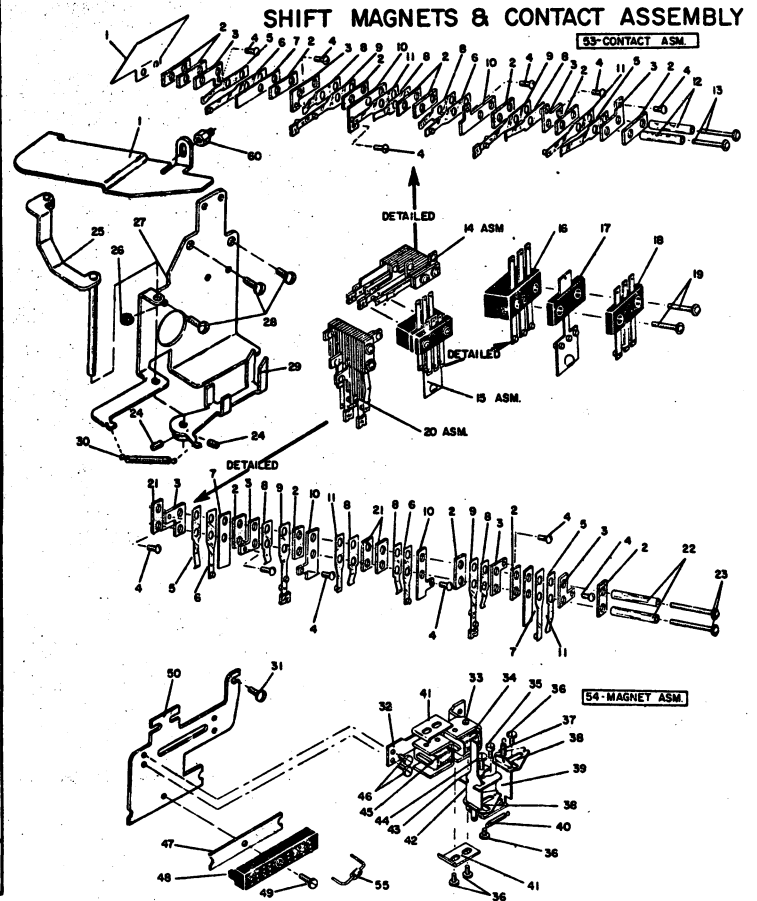
MEM Edgely Add

CODE - 522

REF. PART NO.	DESCRIPTION
1	1135425 SHIELD, CONTACT
1	1159542 SHIELD, CONTACT
USED ABOVE SN 4610399	
2	37435 INSULATOR, PLATE
3	339109 TERMINAL, CONTACT SPRING
4	118418 SCREW, TERMINAL
5	1135467 SPRING, CONTACT BACKUP
6	1128745 CONTACT, SHIFT N/O
7	326119 SUPPORT, CONTACT STRAP
8	1135466 SPRING, CONTACT BACKUP
9	1128744 CONTACT, OPERATING STRAP
10	1128743 TERMINAL, CONTACT
11	1128746 CONTACT SHIFT N/C
12	104278 INSULATOR, SCREW
13	104676 SCREW, CONTACT M/G
14	1262780 CONTACT ASM: SHIFT
14	1159506 CONTACT ASSEMBLY 775
ORDER COMPLETE ASM WHEN REPLACEMENT PARTS NECESSARY	
15	1262777 CONTACT, TRANSMITTING
16	1128947 CONTACT N/O LEFT
17	1128948 CONTACT O/S
18	1128946 CONTACT N/O RIGHT
19	173207 SCREW, CONTACT OTHERS
20	1262779 CONTACT, FB OTHERS
21	27460 INSULATOR, THICK
22	104278 INSULATOR, OTHERS
23	173213 SCREW, CONTACT OTHERS
24	165556 SCREW, SET, CONTACT LEVER
25	* 1128954 FOLLOWER, SHIFT CAM
26	264641 C-CLIP, FOLLOWER ARM
27	* 1128952 BRACKET, SHIFT CONTACT
28	1164576 SCREW, BRACKET MOUNTING
29	* 1164165 LEVER, SHIFT CONTACT
*BELOW SN 4619427 REPLACEMENT OF ANY PART WILL REQUIRE REPLACEMENT OF ALL THREE	
30	1090162 SPRING, FOLLOWER
31	1164576 SCREW, BRACKET
32	1128962 CORE UC
33	1128959 CORE LC
34	1135134 COIL LC SHIFT 48V
34	1266894 COIL LC SHIFT 24V
35	1164578 SCREW
36	1164578 SCREW
37	123552 SPRING, HINGE PLATE
38	1128967 PLATE, UC & LC HINGE
39	1128969 ARMATURE, LC
40	1072126 SPRING, ARM LATCH
41	1128965 RESIDUAL, SHIFT MAGNET
42	1128968 ARMATURE UC
43	1128966 BACKSTOP ARM UC
44	1127785 SCREW
45	1128964 COIL UC SHIFT 48V
45	1266893 COIL UC SHIFT 24V
46	1117759 SCREW
47	302131 INSULATOR, TERMINAL BLOCK
48	302090 TERMINAL BLOCK
49	438549 SCREW TERMINAL BLOCK
50	1128958 BRACKET MAGNET ASSEMBLY SHIFT

REF. PART NO.	DESCRIPTION
54	1272125 24 VOLT
54	1135302 48 VOLT
55	1160777 DIODE, SINGLE
60	1142377 STUD, SHIELD

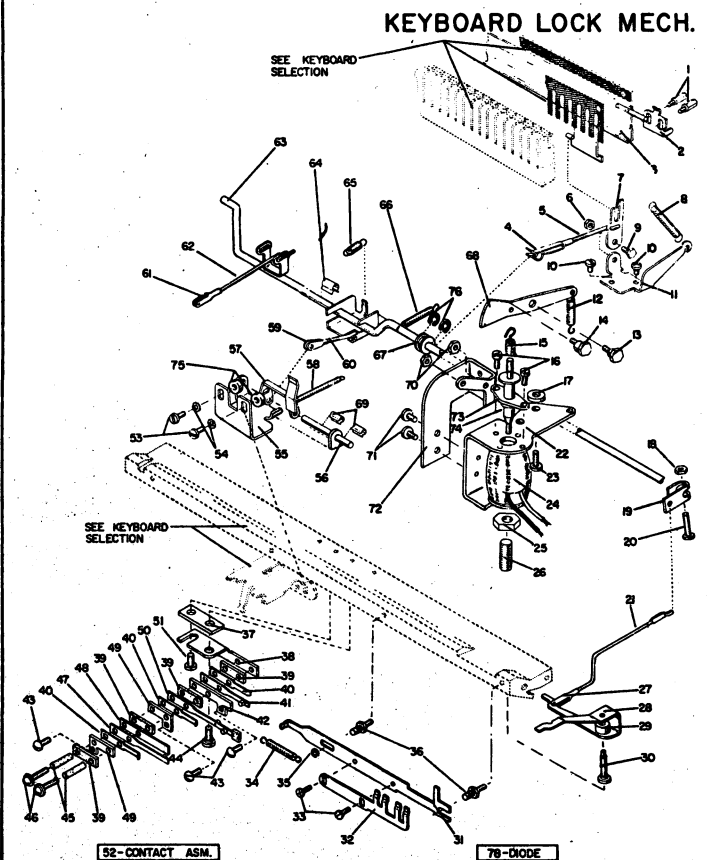
CODE-523



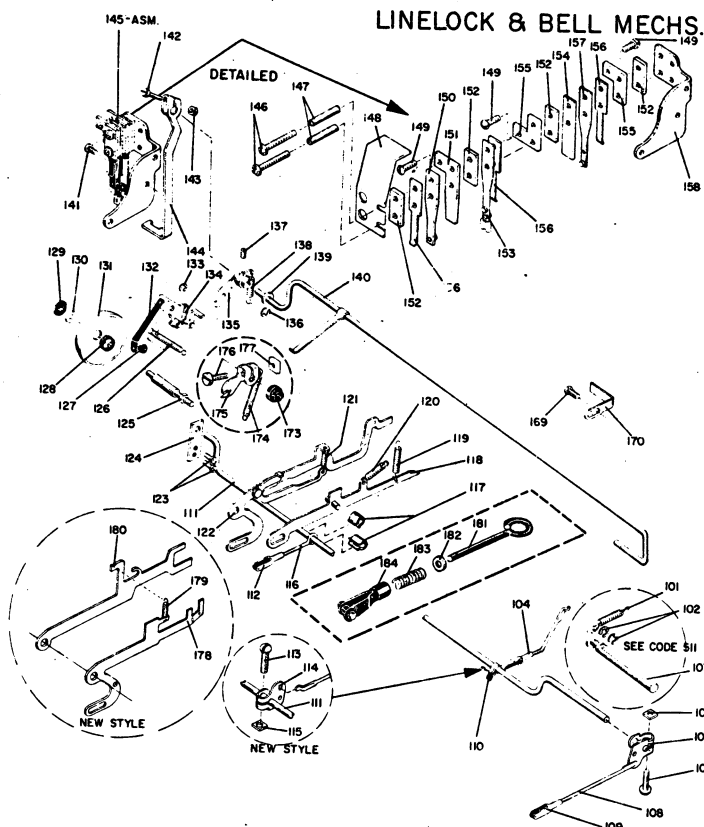
REF. PART NO.	DESCRIPTION
1	1135584 SCREW, SUPPORT MOUNTING
2	1135497 SUPPORT, INTERPOSER LOCK
3	1135505 LOCK, INTERPOSER
4	1123754 CLEVIS, INTERPOSER LOCK LEVER
5	1135713 LINK, INTERPOSER LOCK
6	37913 NUT, KB LOCK LEVER MTG
7	1135496 LEVER, KB LOCK
8	1090175 SPRING, INTERLOCK RETAINER
9	1135130 STUD, KB LOCK LEVER
10	1164582 SCREW, KB LEVER MTG
11	1135498 BRACKET, KB LOCK
12	1124206 SPRING, LOCKOUT LEVER
ENERGIZE TO UNLOCK	
12	1090404 SPRING, LOCKOUT LEVER
ENERGIZE TO LOCK	
13	1128649 SCREW, LOCKOUT LEVER PIVOT
14	1128647 SCREW, LOCKOUT LEVER
15	1128648 SPRING, LINK
16	1110668 SCREW, GUIDE MOUNTING
17	1128828 SPACER, SOLENOID ASSEMBLY
18	37913 NUT, CRANK MOUNTING
19	1128928 CRANK, LOCKOUT BAIL
20	438549 SCREW, CRANK MOUNTING
21	1128890 LINK, LOCKOUT BELLCRANK
22	1135235 YOKE, KEYBOARD LOCK SOLENOID
23	35739 SCREW, YOKE MTG
24	1135089 COIL, KEYBOARD LOCK 48V
24	1266892 COIL, KEYBOARD LOCK 24V
25	1128644 NUT, SOLENOID CORE ADJUSTING
26	343752 CORE, SOLENOID
27	1070020 CLEVIS, LOCKOUT LINK
28	1128877 BELLCRANK, LOCKOUT
29	1128885 SPACER, BELLCRANK
30	1128879 SCREW, BELLCRANK MTG
31	1128874 COMB ASSEMBLY, LOCKOUT
32	1128892 COMB, ADJ OTHERS
32	1159376 COMB ASM LOCKOUT 775
33	358174 SCREW, COMB ADJUSTING
34	1090404 SPRING, LOCKOUT COMB
35	1073418 C-CLIP, LOCKOUT COMB
36	1128880 SCREW, LOCKOUT COMB MTG
37	1128882 SPACER, KEYBOARD CONTACT
38	1128897 BRACKET, CONTACT MOUNTING
39	37435 INSULATOR, PLATE
40	1135466 SPRING, BACKUP
41	1128746 STRAP CONTACT N/C
42	1128743 TERMINAL, CONTACT
43	118418 SCREW, TERMINAL
44	236550 SCREW, BRACKET MOUNTING
45	100229 INSULATOR, SCREW
46	173205 SCREW, CONTACT ASSEMBLY
47	1128745 STRAP, CONTACT N/O
48	326119 SUPPORT, CONTACT STRAP
49	339109 TERMINAL, CONTACT
50	1128744 STRAP, CONTACT OPERATING
51	236550 SCREW, CONTACT MOUNTING
52	1128896 CONTACT ASSEMBLY
53	1164576 SCREW, STOP BRACKET
54	338169 LOCKWASHER, STOP BRACKET

REF. PART NO.	DESCRIPTION
55	1135508 BRACKET, STOP MOUNTING
56	1135506 ROD, PIVOT PAWL STOP
57	1135507 STOP, CYCLE CLUTCH PAWL
58	46831 SPRING, PAWL STOP
59	1070020 CLEVIS, SLIDE LINK
60	1135511 SLIDE AND LINK STOP
61	1070020 CLEVIS, LINELOCK
62	1128881 LINK, LINELOCK
63	1128863 BAIL ASM, KEYBOARD LOCK
64	1138464 RETAINER, SLIDE
65	183835 SPRING, LOCKOUT
66	1091618 SPRING, LOCKOUT BAIL
67	1128884 ROLLER, LOCKOUT BAIL
68	1128646 LEVER, LOCKOUT
69	1138384 RETAINER, PAWL STOP
70	37913 NUT, KEYBOARD LOCK
71	108114 SCREW, SOLENOID BRKT MTG
72	1135234 BRACKET, LOCKOUT LEVER
73	1099884 GUIDE, PLUNGER
74	343755 PLUNGER, SOLENOID
75	1118134 SPACER
76	1092125 RETAINER
78	1135573 DIODE, KEYBOARDLESS SOLENOID

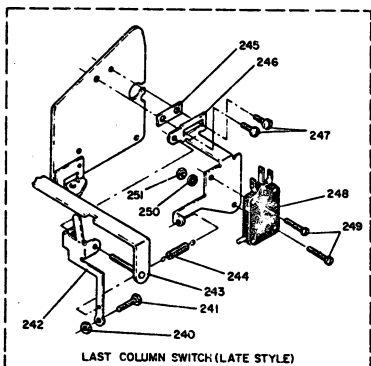
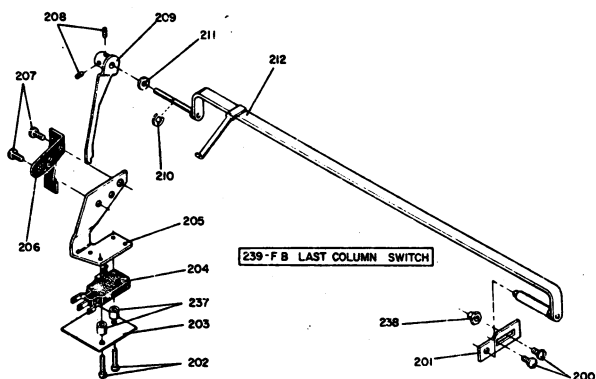
CODE-524



LINELOCK & BELL MECHS.



LINELOCK MECH.

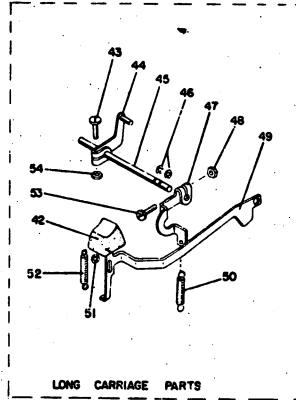
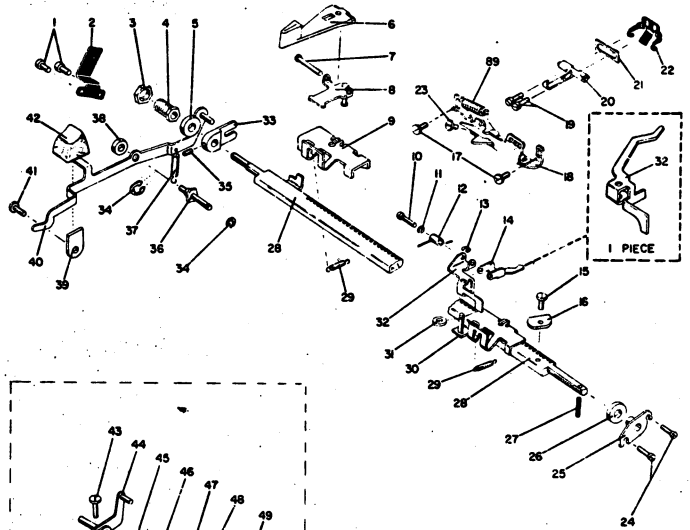


REF. PART NO.	DESCRIPTION	REF. PART NO.	DESCRIPTION
101	1116343 SPRING, OPERATING LOCKOUT		
102	264641 C-CLIP, OPERATING LOCKOUT		
103	1132092 SHAFT, OPERATING LOCKOUT		
104	1133600 LINK, OPERATING LOCKOUT TO REPLACE LINK ON MACHINES BELOW 4007200, REF 103 MUST BE REPLACED ALSO		
104	1000223 LINK USED WITH REF 83 CODE 511		
105	1134829 NUT, LOCKOUT BAIL		
106	1124435 BELLCRANK, LOCKOUT		
107	1928 SCREW, LOCKOUT BAIL		
108	1133520 LINK, LOCKOUT BAIL		
108	1141834 LINK, LOCKOUT USED ON IMP CONTROL CCR		
109	1070020 CLEVIS, LOCKOUT BAIL		
110	1123754 CLEVIS, LOCKOUT BAIL		
111	1124414 BAIL, LOCKOUT		
112	1110529 CLEVIS, KEYBOARD LOCK		
113	1928 SCREW, LOCKOUT CLAMP		
114	1159129 CLAMP, LOCKOUT LEVER		
115	1134829 NUT, LOCKOUT CLAMP		
116	1135714 LINK, KEYBOARD LOCKOUT		
117	1092125 RETAINER, LOCKOUT LINK FOR REF ONLY USE REF 178,179,180		
118	123552 SPRING, KEYBOARD LOCK		
120	1071449 SPRING, KEYBOARD INTERLOCK		
121	1107743 SPRING, BELLCRANK		
122	FOR REF ONLY USE REF 178,179,180		
123	1164578 SCREW, LOCKOUT BAIL		
124	1132009 BRACKET, LOCKOUT BAIL		
125	1141117 STUD, BELL MOUNTING USED ON MACHINES BELOW 4011720		
126	150735 SPRING, BELL		
127	1123623 BUTTON, BELLCRAPPER		
128	1133627 GROMMET, BELL MOUNTING		
129	1138483 RETAINER, BELL		
130	1090970 SPACER, BELL MOUNTING		
131	1133628 BELL		
132	1132027 BELLCRANK ASSEMBLY		
133	219633 C-CLIP, BELL STUD		
134	1073449 SPRING, BELLCRAPPER		
135	REF ONLY ORDER REF 173,174,175, 176 & 177		
136	264641 C-CLIP, BELLRINGER		
137	257957 SCREW, BELL BAIL LEVER		
138	1106650 SPRING		
138	1091069 SPRING, NEW LC USED WITH LAST COLUMN SWITCH		
139	45677 WASHER, BELLRINGER		
140	1128173 BAIL, BELLRINGER OTHER		
141	1164584 SCREW, BRACKET MOUNTING		
142	21636 SCREW, END OF LINE ACTUATOR		
143	37913 NUT, END OF LINE ACTUATOR		
144	1128788 ACTUATOR, CONTACT		
145	1135183 CONTACT ASSEMBLY, OTHERS		
146	173204 SCREW, CONTACT MOUNTING		
147	105052 INSULATOR, SCREW		
148	1135424 SHIELD, CONTACT ARM		
149	118418 SCREW, TERMINAL		
150	1128746 STRAP, CONTACT N/C		
151	1261967 TERMINAL, CONTACT SUPPORT		
152	37435 INSULATOR PLATE		
153	1128744 STRAP, CONTACT O/S		
154	326119 SUPPORT, CONTACT STRAP		
155	359109 TERMINAL CONTACT		
156	1135446 SPRING, CONTACT BACKUP		
157	1128745 STRAP, CONTACT N/O		
158	1128789 BRACKET, CONTACT MOUNTING		
169	265195 SCREW, BELLRINGER STOP		
170	1123622 STOP, BELLRINGER		
173	1132013 SPACER		
174	1164433 SPRING		
175	1132012 LEVER, BELL BAIL		
176	1928 SCREW		
177	1134829 NUT		
178	1133597 LEVER, KEYBOARD LOCK		
179	45119 SPRING		
180	1133598 LEVER, KEYBOARD LOCK		
181	1159241 LINK		
182	1090472 WASHER		
183	1159239 SPRING		
184	1159443 CLEVIS		
200	1117759 SCREW, BELLRINGER BAIL		
200 *	1164579 SCREW, BELLRINGER BAIL		
201	1135991 BRACKET BELLRINGER BAIL ADJUSTING		
202	438541 SCREW, LC CONTACT SWITCH		
203	1159119 GUARD, LC CONTACT		
204	1135993 SWITCH, LAST COLUMN		
204	1159363 SWITCH ASSEMBLY, 775, 870		
205	1135978 BRACKET LC SWITCH		
206	1135979 SPRING, ACTUATOR BACKUP		
207	1164584 SCREW, LC SWITCH MTG BRKT		
208	257956 SCREW, LC ACTUATOR MTG		
209	1159541 ACTUATOR ASM, LC CONTACT		
210	20069 C-CLIP		
211	1142245 SPACER, BELLRINGER BAIL		
212	1135990 BAIL, 15"		
212	1159093 BAIL, 11"		
237	125231 SPACER		
238 *	257187 NUT, BELL BAIL ADJUSTING *USED WITH FIELD B/M REF 239 ONLY REAR ADJ SCREW		
239	1272121 B/M LAST COLUMN 731		
239	1272122 B/M LAST COLUMN 735		
240	37913 NUT, LOCKING		
241	1159286 SCREW, ADJUSTING		
242	1159390 ACTUATOR		
243	1159278 BAIL, BELLRINGER		
244	1135990 SPRING		
245	27435 SPACER		
246	1159388 BRACKET, SWITCH		
247	438542 SCREW, BRACKET MOUNTING		
248	1159544 SWITCH		
249	438541 SCREW, SWITCH MOUNTING		
250	45624 WASHER		
251	47987 NUT		

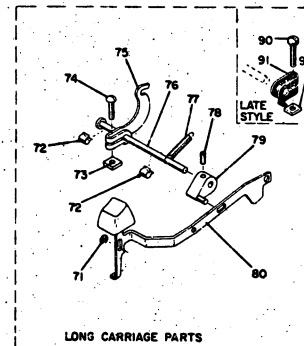
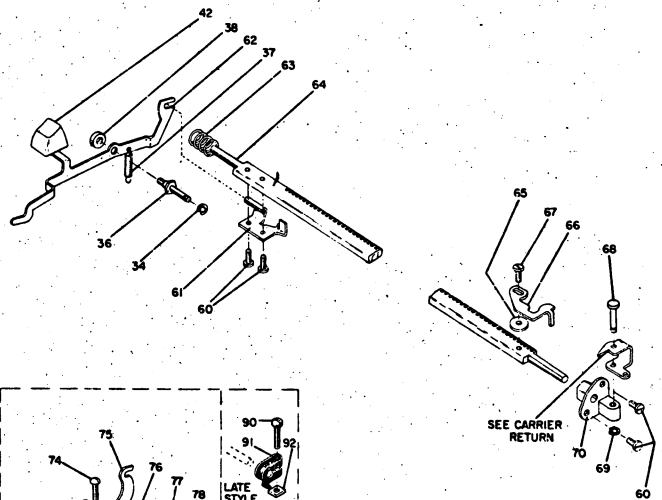
REF. PART NO.	DESCRIPTION
1	438566 SCREW, MARGIN RACK RE-TAINER
2	1128162 SPRING, MARGIN RACK RE-TAINER
3	10574 NUT, MARGIN RACK
4	1123602 BUSHING, LH MARGIN RACK
5	1127738 WASHER
6	1135083 LEVER, MARGIN SET, GRAY
6	1159149 LEVER, DARK BLUE
6	1159352 LEVER, LIGHT BLUE
7	1123611 PIN
8	1123610 PIN AND SLIDE ASSEMBLY
9	1123615 STOP, MARGIN LH
10	1132181 SHAFT, BELLCRANK
11	251989 C-CLIP, SHAFT
12	1132193 SPRING, BELLRINGER
13	1073418 C-CLIP, LEVER
14	1132019 ARM, BELLRINGER BELLCRANK
15	1164576 SCREW, MARGIN RACK EC-CENTRIC
16	1123605 ECCENTRIC, MARGIN RACK
17	1127745 SCREW, LINE LOCK BELLCRANK
18	1135082 BRACKET, LINE LOCK
19	38262 SCREW, POINTER MOUNTING
20	1135084 POINTER, OTHER
21	1134888 WASHER, POINTER BRACKET
22	1124702 BRACKET, POINTER
23	1164578 SCREW, LINE LOCK BRACKET
24	38261 SCREW, MARGIN RACK
25	1123626 BUSHING, RH 11"
25	1128166 BUSHING, RH 15"
26	1127738 WASHER, MARGIN RACK
27	2301794 PIN, MARGIN RACK
28	1133510 RACK, MARGIN 12P 11"
28	1128164 RACK, MARGIN 12P 15"
28	1133508 RACK, MARGIN 10P 11"
28	1128171 RACK, MARGIN 10P 15"
29	1123812 SPRING, MARGIN SET
30	1123616 STOP, MARGIN RH
WHEN INSTALLING IN PLACE OF OLD STYLE METAL MAR SET LEVER, REPLACE REF 32 ALSO.	
31	1141175 SPACER, BELLCRANK
32	1133607 BELLCRANK ASSEMBLY
32	1141474 BELLCRANK, 1 PIECE
WHEN INSTALLING ON MACH WITH 2 PIECE REPL REF 89	
33	1123603 LEVER, MARGIN RELEASE
34	1132122 C-CLIP, RELEASE KEYLEVER
USED ON MACHINES ABOVE #032000	
35	257957 SCREW, MARGIN RELEASE LEVER
36 *	1124020 STUD, MARGIN RELEASE PIVOT
37	1134837 SPRING, MARGIN RELEASE PIVOT
38 *	1124019 SPACER, MARGIN RELEASE KEYLEVER
*USED ON MACHINES BELOW 4012015	
39	1132242 STOP, MARGIN RELEASE
40	1128317 KEYLEVER, 11" MACHINES
41	1132149 SCREW, STOP MOUNTING
42	1124845 KEYBUTTON, OTHERS
43	438550 SCREW, MARGIN RELEASE LH
44	1128065 LEVER, LH MARGIN RELEASE
45	1128066 SHAFT, MARGIN RELEASE
46	1073418 C-CLIP, SHAFT
47	1128063 LEVER, RH MARGIN RELEASE
48	37913 NUT, MARGIN RELEASE SCREW
49	1128323 KEYLEVER, MARGIN RELEASE
50	1116729 SPRING, MARGIN RELEASE KEYLEVER
51	1073418 C-CLIP, RELEASE KEYLEVER
52	1133661 SPRING, MARGIN RELEASE LEVER
53	438550 SCREW, MARGIN RELEASE LEVER
54	37913 NUT, MARGIN RELEASE SCREW
60	1164582 SCREW
61	1128316 STOP, SET LEVER LH
62	1128317 KEYLEVER, 11"
63	1074321 SPRING, RACK RETURN
64	1128313 RACK, 10P 11"
64	1128315 RACK, 12P 11"
64	1128305 RACK, 10P 15"
64	1128307 RACK, 12P 15"
65	1141227 STOP, SET LEVER RH
66	1141229 GUIDE, 11"
67	1164576 SCREW
68	1141228 STUD, CLUTCH UNLATCHING
69	264641 C-CLIP
70	1141230 BUSHING, 11"
70	1141231 BUSHING, 15"
71	1073418 C-CLIP
72	1141223 RETAINER
73	1134829 NUT, MARGIN RELEASE LH
74	1928 SCREW, MARGIN RELEASE
75	1128318 LEVER, MARGIN RELEASE, 15"
76	1128066 SHAFT, MARGIN RELEASE, 15"
77	1102139 SPRING, MARGIN RELEASE
78	257958 SCREW, MARGIN RELEASE LEVER RH
FOR REF ONLY ORDER REF 90,91,92	
80	1128323 KEYLEVER, MARGIN RELEASE
89	123552 SPRING
90	1164619 SCREW, MARGIN RELEASE
91	1128322 CLAMP, MARGIN RELEASE
92	602229 NUT, MARGIN RELEASE

REF. PART NO.	DESCRIPTION
1	438566 SCREW, MARGIN RACK RE-TAINER
2	1128162 SPRING, MARGIN RACK RE-TAINER
3	10574 NUT, MARGIN RACK
4	1123602 BUSHING, LH MARGIN RACK
5	1127738 WASHER
6	1135083 LEVER, MARGIN SET, GRAY
6	1159149 LEVER, DARK BLUE
6	1159352 LEVER, LIGHT BLUE
7	1123611 PIN
8	1123610 PIN AND SLIDE ASSEMBLY
9	1123615 STOP, MARGIN LH
10	1132181 SHAFT, BELLCRANK
11	251989 C-CLIP, SHAFT
12	1132193 SPRING, BELLRINGER
13	1073418 C-CLIP, LEVER
14	1132019 ARM, BELLRINGER BELLCRANK
15	1164576 SCREW, MARGIN RACK EC-CENTRIC
16	1123605 ECCENTRIC, MARGIN RACK
17	1127745 SCREW, LINE LOCK BELLCRANK
18	1135082 BRACKET, LINE LOCK
19	38262 SCREW, POINTER MOUNTING
20	1135084 POINTER, OTHER
21	1134888 WASHER, POINTER BRACKET
22	1124702 BRACKET, POINTER
23	1164578 SCREW, LINE LOCK BRACKET
24	38261 SCREW, MARGIN RACK
25	1123626 BUSHING, RH 11"
25	1128166 BUSHING, RH 15"
26	1127738 WASHER, MARGIN RACK
27	2301794 PIN, MARGIN RACK
28	1133510 RACK, MARGIN 12P 11"
28	1128164 RACK, MARGIN 12P 15"
28	1133508 RACK, MARGIN 10P 11"
28	1128171 RACK, MARGIN 10P 15"
29	1123812 SPRING, MARGIN SET
30	1123616 STOP, MARGIN RH
WHEN INSTALLING IN PLACE OF OLD STYLE METAL MAR SET LEVER, REPLACE REF 32 ALSO.	
31	1141175 SPACER, BELLCRANK
32	1133607 BELLCRANK ASSEMBLY
32	1141474 BELLCRANK, 1 PIECE
WHEN INSTALLING ON MACH WITH 2 PIECE REPL REF 89	
33	1123603 LEVER, MARGIN RELEASE
34	1132122 C-CLIP, RELEASE KEYLEVER
USED ON MACHINES ABOVE #032000	
35	257957 SCREW, MARGIN RELEASE LEVER
36 *	1124020 STUD, MARGIN RELEASE PIVOT
37	1134837 SPRING, MARGIN RELEASE PIVOT
38 *	1124019 SPACER, MARGIN RELEASE KEYLEVER
*USED ON MACHINES BELOW 4012015	
39	1132242 STOP, MARGIN RELEASE
40	1128317 KEYLEVER, 11" MACHINES
41	1132149 SCREW, STOP MOUNTING
42	1124845 KEYBUTTON, OTHERS
43	438550 SCREW, MARGIN RELEASE LH
44	1128065 LEVER, LH MARGIN RELEASE
45	1128066 SHAFT, MARGIN RELEASE
46	1073418 C-CLIP, SHAFT
47	1128063 LEVER, RH MARGIN RELEASE
48	37913 NUT, MARGIN RELEASE SCREW
49	1128323 KEYLEVER, MARGIN RELEASE
50	1116729 SPRING, MARGIN RELEASE KEYLEVER
51	1073418 C-CLIP, RELEASE KEYLEVER
52	1133661 SPRING, MARGIN RELEASE LEVER
53	438550 SCREW, MARGIN RELEASE LEVER
54	37913 NUT, MARGIN RELEASE SCREW
60	1164582 SCREW
61	1128316 STOP, SET LEVER LH
62	1128317 KEYLEVER, 11"
63	1074321 SPRING, RACK RETURN
64	1128313 RACK, 10P 11"
64	1128315 RACK, 12P 11"
64	1128305 RACK, 10P 15"
64	1128307 RACK, 12P 15"
65	1141227 STOP, SET LEVER RH
66	1141229 GUIDE, 11"
67	1164576 SCREW
68	1141228 STUD, CLUTCH UNLATCHING
69	264641 C-CLIP
70	1141230 BUSHING, 11"
70	1141231 BUSHING, 15"
71	1073418 C-CLIP
72	1141223 RETAINER
73	1134829 NUT, MARGIN RELEASE LH
74	1928 SCREW, MARGIN RELEASE
75	1128318 LEVER, MARGIN RELEASE, 15"
76	1128066 SHAFT, MARGIN RELEASE, 15"
77	1102139 SPRING, MARGIN RELEASE
78	257958 SCREW, MARGIN RELEASE LEVER RH
FOR REF ONLY ORDER REF 90,91,92	
80	1128323 KEYLEVER, MARGIN RELEASE
89	123552 SPRING
90	1164619 SCREW, MARGIN RELEASE
91	1128322 CLAMP, MARGIN RELEASE
92	602229 NUT, MARGIN RELEASE

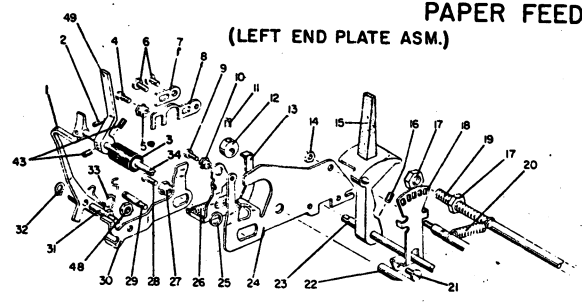
MARGIN MECH.



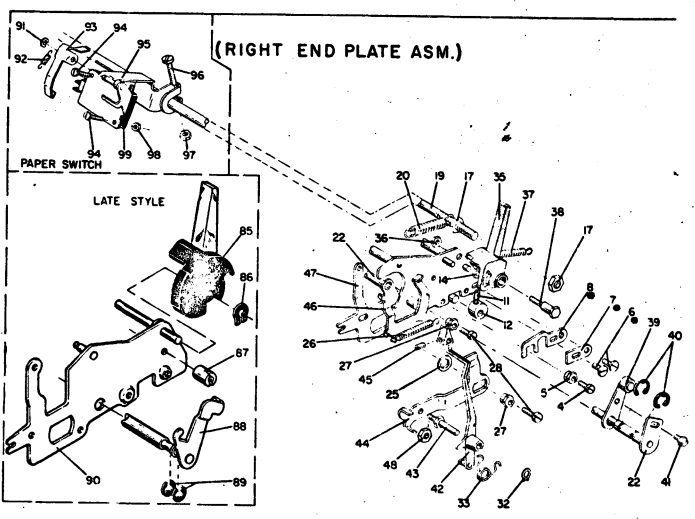
MARGIN MECH.



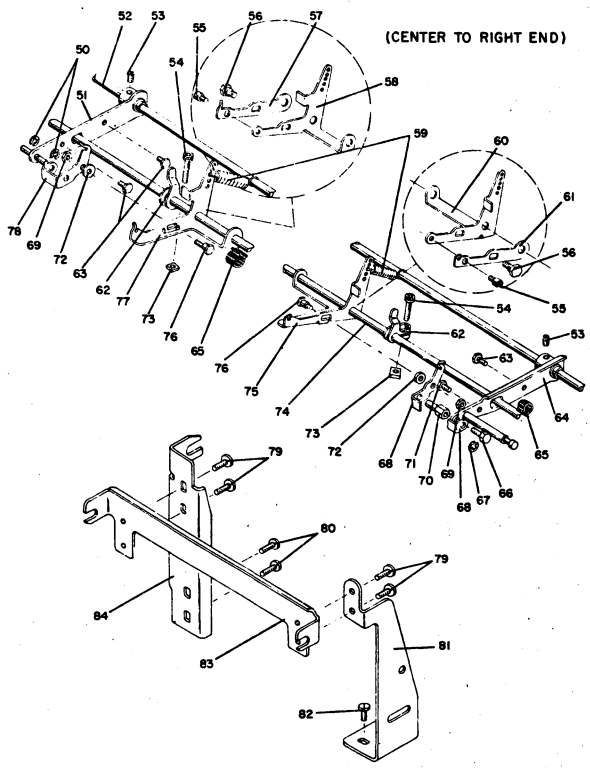
PAPER FEED MECH.  
(LEFT END PLATE ASM.)



(RIGHT END PLATE ASM.)



PAPER FEED MECH.  
(CENTER TO RIGHT END)

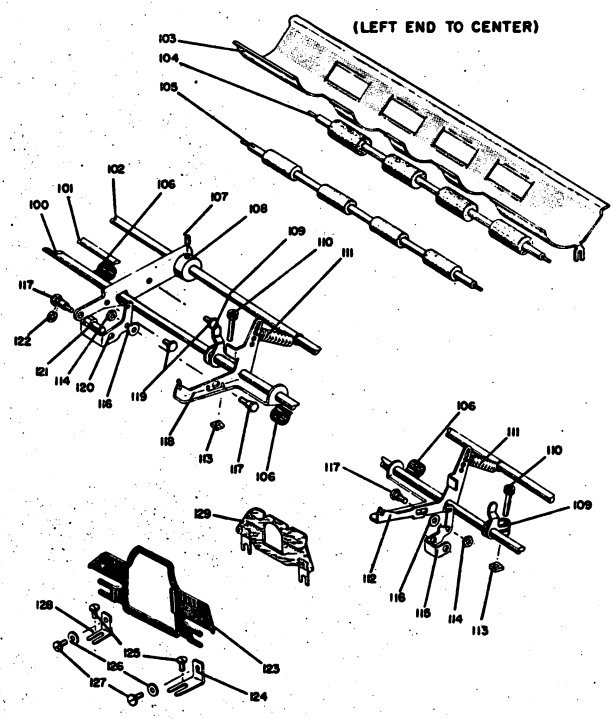


REF. PART NO.	DESCRIPTION	REF. PART NO.	DESCRIPTION
1	1124391 ARM, PAPER BAIL, LH 775 WITH ACOUSTIC HOOD USE PN 1159251	74	1128215 SHAFT, 15"
1	1164381 ARM, LH 775 ABOVE SN 4680295	75	NOT AVAILABLE ORDER REF 55,56,60 & 61
2	264998 PIN, PAPER BAIL	76	1132220 ECCENTRIC, STUD
3	1132230 ROLLER BAIL, NYLON	77	NOT AVAILABLE ORDER REF 55,56,57 & 58
3	1124397 ROLLER BAIL, RUBBER	78	1128151 ARM, CENTER 15" RH
4	38350 SCREW, PLATEN ECCENTRIC ADJUSTING	79	121521 SCREW, SUPPORT
5	1124370 ECCENTRIC NUT	80	1164579 SCREW, SUPPORT MOUNTING
6	38350 SCREW, PLATEN PLATE	81	1141833 BRACKET TRANSPORT 15"
7	1124373 PLATE, ECCENTRIC RETAINER	82	1164577 SCREW, BRACKET 15"
8	1124369 PLATE, PLATEN ADJUSTING	83	1128240 SUPPORT, TIE ROD
9	38348 SCREW, LATCH 11"	84	1132214 SUPPORT, TIE ROD
9	38350 SCREW, LATCH 15"	85	1135381 LEVER, PAPER RELEASE
10	1124803 ECCENTRIC, PLATEN LATCH	86	1115633 GRIP CLIP
11	121521 SCREW, COPY CONTROL ECCENTRIC	87	1164160 STOP, LEVER
11	1071657 SCREW, COPY CONTROL ECCENTRIC	88	1164542 SHAFT, FEED ROLL 11"
	USED ON 11 INCH BELOW 4005500	88	1164999 SHAFT, FEED ROLL 15"
12	1124371 ECCENTRIC, COPY CONTROL	89	1103695 C-CLIP
13	1124802 LATCH, PLATEN LH	90	1128013 PLATE ASSEMBLY, RH
14	38051 NUT, TIE ROD	91	1073418 RETAINER
15	1159220 LEVER, COPY CONTROL	92	1134868 SPRING
16	257958 SCREW, COPY CONTROL	93	1176855 ARM, PAPER SWITCH
17	1091743 NUT, BASE TIE ROD	94	438541 SCREW
18	1124383 DETENT, COPY CONTROL	95	1176853 BRACKET, PAPER SWITCH
19	1124769 ROD, BASE TIE 11"	96	186759 SCREW
19	1128075 ROD, BASE TIE 15"	97	257187 NUT
20	1133665 SPRING, CARRIER 11"	98	47987 NUT
20	1141586 SPRING, 15"	99	65266 SWITCH
21	1117759 SCREW, COPY CONTROL MTG		
22	1138143 SHAFT, FEED ROLL 11"		
22	1124788 SHAFT, FEED ROLL 11"		
	USED BELOW 4012015		
22	1128215 SHAFT, FEED ROLL 15"		
23	1134954 SHAFT, COPY 11"		
23	1124372 SHAFT, COPY 11"		
	USED BELOW 4012015		
23	1128136 SHAFT, COPY 15"		
24	1124379 PLATE, LH		
25	1124377 SPACER, CARRIER GUIDE		
26	1134837 SPRING, PLATEN LATCH		
27	1124378 ECCENTRIC, PLATEN ADJUSTING		
28	38353 SCREW, ECCENTRIC		
29	1124579 STUD, BAIL SPRING LH		
30	1133589 BRACKET, CARRIER GUIDE		
31	1132055 STUD, PAPER BAIL ARM		
31	1135055 STUD, BAIL ARM 775 WITH ACOUSTIC HOOD USE PN 1166938		
32	1152852 RETAINER, PAPER BAIL		
33	1124396 SPRING, PAPER BAIL 775 WITH ACOUSTIC HOOD USE PN 1166544		
34	1124393 SHAFT, BAIL 11"		
34	1128152 SHAFT, BAIL 15"		
	775 WITH ACOUSTIC HOOD USE PN 1166939		
35	FOR REF ONLY ORDER REF 85 AND 87		
36	38051 NUT, RELEASE LEVER STUD		
	USED ON 11 INCH BELOW 4012015		
37	1072703 SPRING, PAPER RELEASE		
38	1128012 STUD, RELEASE LEVER MCH		
	USED ON ALL 15 INCH AND 11 INCH ABOVE 4012015		
38	1124366 STUD, RELEASE LEVER		
	USED ON 11 INCH BELOW 4012015		
38	1271741 STUD, RELEASE LEVER TO REPLACE THE RELEASE LEVER OR ITS STUD ON 11 INCH BETWEEN S/N 4012015 AND 4031400, USE STUD NO 1128012 AND INDEX LEVER STUD NO 1128084		
39	1141184 ARM, FEED ROLL RELEASE		
40	1103695 RETAINER		
41	108114 SCREW, RELEASE ARM		
42	1124388 LEVER, BAIL RH 775 WITH ACOUSTIC HOOD USE PN 1159250		
42	1164380 LEVER, RH 775 ABOVE SN 4680295		
43	1124376 STUD, PAPER BAIL		
43	*1135055 STUD, BAIL ARM 775 ABOVE SN 4680424 775 WITH ACOUSTIC HOOD USE PN 1166938		
44	1133590 BRACKET, CARRIER GUIDE		
45	251350 SCREW, PAPER BAIL		
46	1124801 LATCH, PLATEN RH		
47	1138149 PLATE ASSEMBLY RH		
47	1124363 PLATE ASSEMBLY 11" USED ON 11 INCH BELOW 4012015		
48	1134842 NUT		
49	1164937 PAPER BAIL LEVER EXTEN.		
50	1073418 C-CLIP LEVER		
51	1128155 ARM, CENTER 15"		
52	1132221 ROD, TIE 11"		
52	1128149 ROD, TIE 15"		
53	1100523 SCREW, ARM MOUNTING		
54	1128280 SCREW, LEVER MOUNTING		
55	1128238 SCREW, PAPER FEED ADJUSTING		
56	1128239 SCREW, FEED ROLL ARM		
57	1128234 ARM, FRONT FEEDROLL ADJUSTING LH		
58	1128236 ARM, FRONT FEEDROLL LH		
59	1128350 SPRING, FEEDROLL TENSION		
59	1128221 SPRING, FEEDROLL TENSION 15"		
60	1128237 ARM, FRONT FEEDROLL RH		
61	1128235 ARM, FRONT FEEDROLL ADJUSTING RH		
62	1138118 LEVER, FEED ROLL RELEASE		
63	265195 SCREW, BRACE		
64	1128146 ARM, RH 15"		
64	1132228 ARM, RH 11"		
65	1133593 RETAINER, PAPER FEED MTG		
66	1132222 SCREW, FEED ROLL ARM		
67	1092125 C-CLIP SHAFT		
68	1132219 ARM, REAR FEEDROLL RH		
69	37913 NUT, ECCENTRIC STUD		
70	1134773 STUD, FEED ROLL ARM		
71	265195 SCREW, BRACE		
72	1124777 SPACER, ECCENTRIC		
73	1134829 NUT, FEED ROLL SCREW		
74	1124788 SHAFT, 11" USED BELOW 4012015		
74	1138143 SHAFT, 11"		

REF. PART NO.	DESCRIPTION
100	1124788 SHAFT, FEED ROLL 11" USED BELOW 4012015
100	1138143 SHAFT, FEED ROLL 11"
100	1128215 SHAFT, FEED ROLL 15"
101	1134954 SHAFT, COPY 11"
101	1124372 SHAFT, COPY 11" USED BELOW 4012015
101	1128136 SHAFT, COPY 15"
102	1132221 ROD, TIE 11"
102	* 1159574 ROD, TIE 11"
102	1128149 ROD, TIE 15"
102	* 1159575 ROD, TIE 15"
MUSED WITH DIE CAST COVERS	
103	1271549 DEFLECTOR, 11"
103	1271548 DEFLECTOR, 15"
104	1124776 FEED ROLL REAR 11"
104	1128138 FEED ROLL REAR 15"
105	1124782 FEED ROLL FRONT 11"
105	1128141 FEED ROLL FRONT 15"
106	1133593 RETAINER, SHAFT
107	1100523 SCREW, SET
108	1132227 ARM ASSEMBLY 11" LH
108	1128145 ARM ASSEMBLY 15" LH
109	1138118 LEVER, FEED ROLL RELEASE
110	1128280 SCREW, LEVER MOUNTING
111	1128350 SPRING, FRONT TENSION
112	NOT AVAILABLE ORDER REF 55,56,60 AND 61
113	1134829 NUT, FEED ROLL SCREW
114	137913 NUT, ECCENTRIC STUD
115	1128150 ARM, CENTER, LH 15"
116	1124777 SPACER, ECCENTRIC
117	1132220 STUD, ECCENTRIC
118	NOT AVAILABLE ORDER REF 55,56,57 AND 58
119	265195 SCREW, BRACE
120	1132218 ARM, REAR LH
121	1134773 STUD, FEED ROLL ARM
122	1092125 C-CLIP
CARD HOLDER	
123	1124601 10 PITCH
123	1141809 10P 731/735
123	1128532 10P PIN FEED
123	1124602 12 PITCH
123	1141810 12P 731/735
123	1135780 12P PIN FEED
124	1123829 BRACKET, HOLDER, RH
125	1141928 SCREW, BRACKET MOUNTING
126	1138796 WASHER, CARD HOLDER
127	1091151 SCREW, CARD HOLDER
128	1123830 BRACKET, HOLDER, LH
129	1141809 CARD HOLDER, 10P
129	1141810 CARD HOLDER, 12P
140	1132212 SCREW, FEED ROLL ARM
141	37913 NUT, FEED ROLL ARM SCREW
142	1124788 SHAFT, FEED ROLL 11" USED ON MACHINES BELOW 4012015
142	1138143 SHAFT, FEED ROLL 11"
142	1128215 SHAFT, FEED ROLL 15"
143	1124777 SPACER
144	1138118 LEVER, FEED ROLL RELEASE
145	1128275 ROD, CARRIER TIE 11"
145	1128274 ROD, CARRIER TIE 15"
146	1141287 ARM, LH, 11"
146	1141277 ARM, LH, 15"
147	1133665 SPRING, CARRIER, 11"
147	1141586 SPRING, CARRIER, 15"
148	1128280 SCREW, RELEASE LEVER
149	1128350 SPRING, FEEDROLL TENSION
149	1128221 SPRING, FEEDROLL TENSION 15"
150	1133593 RETAINER
151	1134829 NUT, RELEASE LEVER SCREW
152	1128150 ARM, REAR CENTER LH 15"
153	1128238 SCREW, ADJUSTING
154	1141298 ARM, CENTER ADJUSTING 15"
155	1128237 ARM, CENTER LH 15"
156	1128239 SCREW, FEEDROLL ARM
157	1128236 ARM, FRONT FEEDROLL LH
158	1128234 ARM, FEEDROLL ADJUSTING LH
159	1132218 ARM, REAR LH
160	1134773 STUD, FEED ROLL ARM
161	1073418 C-CLIP
162	1141282 ARM, CENTER 15"
163	1141288 ARM, RH 11"
163	1141284 ARM, RH 15"
164	1132219 ARM, REAR RH
165	1128235 ARM, RH FRONT
166	1128236 ARM, CENTER RH
167	1141298 ARM, FEEDROLL ADJUSTING CENTER 15"
168	1128151 ARM, REAR RH CENTER 15"
169	1141285 BRACKET, SUPPORT
170	1128278 BRACKET, SUPPORT
171	121521 SCREW
172	1134954 SHAFT, COPY, 11"
172	1128136 SHAFT, COPY, 15"
173	1141286 ECCENTRIC, COPY CONTROL
174	265195 SCREW, CENTER BRACE
175	56772 WASHER

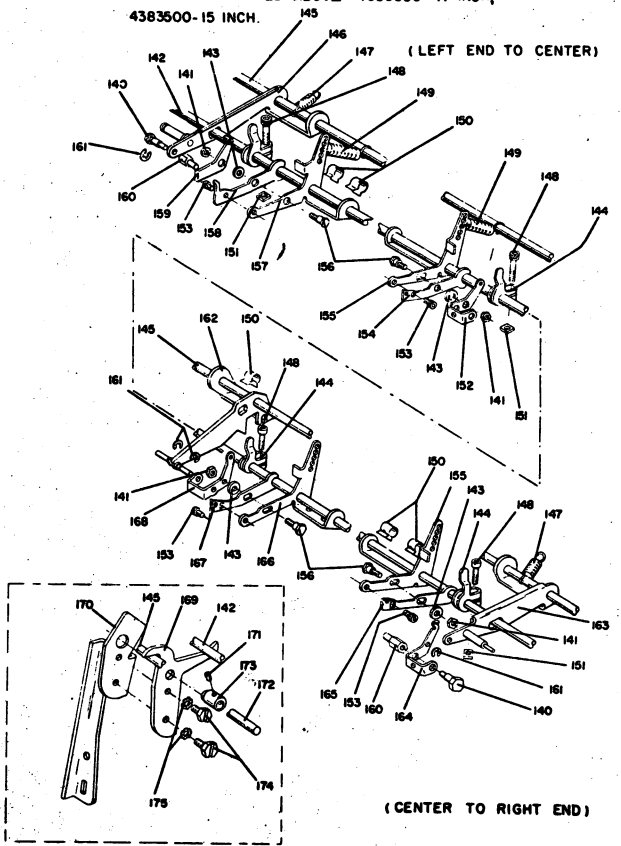
REF. PART NO.	DESCRIPTION
100	1124788 SHAFT, FEED ROLL 11" USED BELOW 4012015
100	1138143 SHAFT, FEED ROLL 11"
100	1128215 SHAFT, FEED ROLL 15"
101	1134954 SHAFT, COPY 11"
101	1124372 SHAFT, COPY 11" USED BELOW 4012015
101	1128136 SHAFT, COPY 15"
102	1132221 ROD, TIE 11"
102	* 1159574 ROD, TIE 11"
102	1128149 ROD, TIE 15"
102	* 1159575 ROD, TIE 15"
MUSED WITH DIE CAST COVERS	
103	1271549 DEFLECTOR, 11"
103	1271548 DEFLECTOR, 15"
104	1124776 FEED ROLL REAR 11"
104	1128138 FEED ROLL REAR 15"
105	1124782 FEED ROLL FRONT 11"
105	1128141 FEED ROLL FRONT 15"
106	1133593 RETAINER, SHAFT
107	1100523 SCREW, SET
108	1132227 ARM ASSEMBLY 11" LH
108	1128145 ARM ASSEMBLY 15" LH
109	1138118 LEVER, FEED ROLL RELEASE
110	1128280 SCREW, LEVER MOUNTING
111	1128350 SPRING, FRONT TENSION
112	NOT AVAILABLE ORDER REF 55,56,60 AND 61
113	1134829 NUT, FEED ROLL SCREW
114	137913 NUT, ECCENTRIC STUD
115	1128150 ARM, CENTER, LH 15"
116	1124777 SPACER, ECCENTRIC
117	1132220 STUD, ECCENTRIC
118	NOT AVAILABLE ORDER REF 55,56,57 AND 58
119	265195 SCREW, BRACE
120	1132218 ARM, REAR LH
121	1134773 STUD, FEED ROLL ARM
122	1092125 C-CLIP
CARD HOLDER	
123	1124601 10 PITCH
123	1141809 10P 731/735
123	1128532 10P PIN FEED
123	1124602 12 PITCH
123	1141810 12P 731/735
123	1135780 12P PIN FEED
124	1123829 BRACKET, HOLDER, RH
125	1141928 SCREW, BRACKET MOUNTING
126	1138796 WASHER, CARD HOLDER
127	1091151 SCREW, CARD HOLDER
128	1123830 BRACKET, HOLDER, LH
129	1141809 CARD HOLDER, 10P
129	1141810 CARD HOLDER, 12P
140	1132212 SCREW, FEED ROLL ARM
141	37913 NUT, FEED ROLL ARM SCREW
142	1124788 SHAFT, FEED ROLL 11" USED ON MACHINES BELOW 4012015
142	1138143 SHAFT, FEED ROLL 11"
142	1128215 SHAFT, FEED ROLL 15"
143	1124777 SPACER
144	1138118 LEVER, FEED ROLL RELEASE
145	1128275 ROD, CARRIER TIE 11"
145	1128274 ROD, CARRIER TIE 15"
146	1141287 ARM, LH, 11"
146	1141277 ARM, LH, 15"
147	1133665 SPRING, CARRIER, 11"
147	1141586 SPRING, CARRIER, 15"
148	1128280 SCREW, RELEASE LEVER
149	1128350 SPRING, FEEDROLL TENSION
149	1128221 SPRING, FEEDROLL TENSION 15"
150	1133593 RETAINER
151	1134829 NUT, RELEASE LEVER SCREW
152	1128150 ARM, REAR CENTER LH 15"
153	1128238 SCREW, ADJUSTING
154	1141298 ARM, CENTER ADJUSTING 15"
155	1128237 ARM, CENTER LH 15"
156	1128239 SCREW, FEEDROLL ARM
157	1128236 ARM, FRONT FEEDROLL LH
158	1128234 ARM, FEEDROLL ADJUSTING LH
159	1132218 ARM, REAR LH
160	1134773 STUD, FEED ROLL ARM
161	1073418 C-CLIP
162	1141282 ARM, CENTER 15"
163	1141288 ARM, RH 11"
163	1141284 ARM, RH 15"
164	1132219 ARM, REAR RH
165	1128235 ARM, RH FRONT
166	1128236 ARM, CENTER RH
167	1141298 ARM, FEEDROLL ADJUSTING CENTER 15"
168	1128151 ARM, REAR RH CENTER 15"
169	1141285 BRACKET, SUPPORT
170	1128278 BRACKET, SUPPORT
171	121521 SCREW
172	1134954 SHAFT, COPY, 11"
172	1128136 SHAFT, COPY, 15"
173	1141286 ECCENTRIC, COPY CONTROL
174	265195 SCREW, CENTER BRACE
175	56772 WASHER

PAPER FEED MECH.



PAPER FEED MECH.

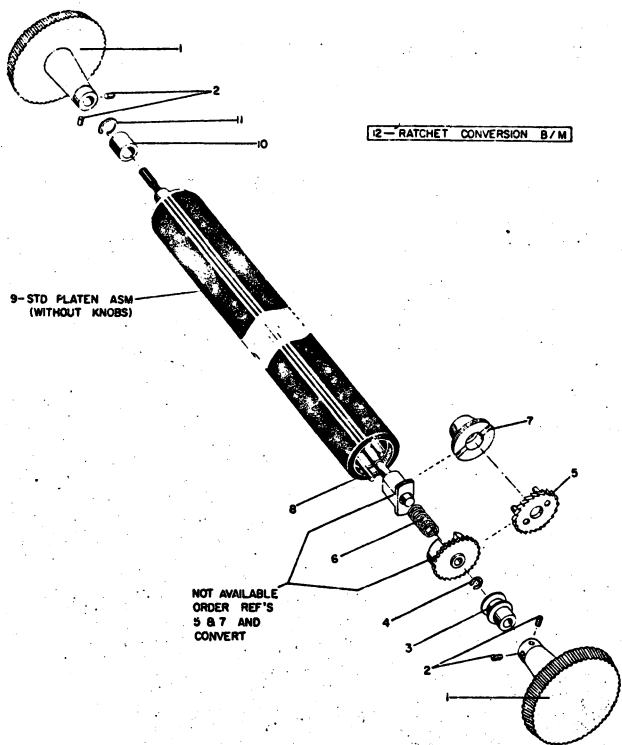
NOTE: THESE PARTS USED ABOVE 4086300-11 INCH, 4383500-15 INCH.



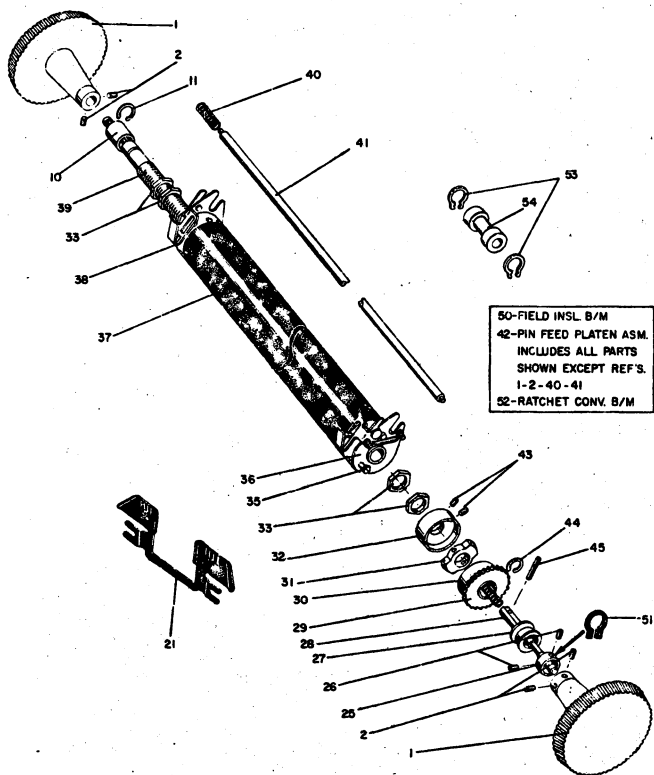
CODE-526

AUG. 15, 1966

STANDARD PLATEN ASSEMBLY



PIN FEED PLATEN ASSEMBLY

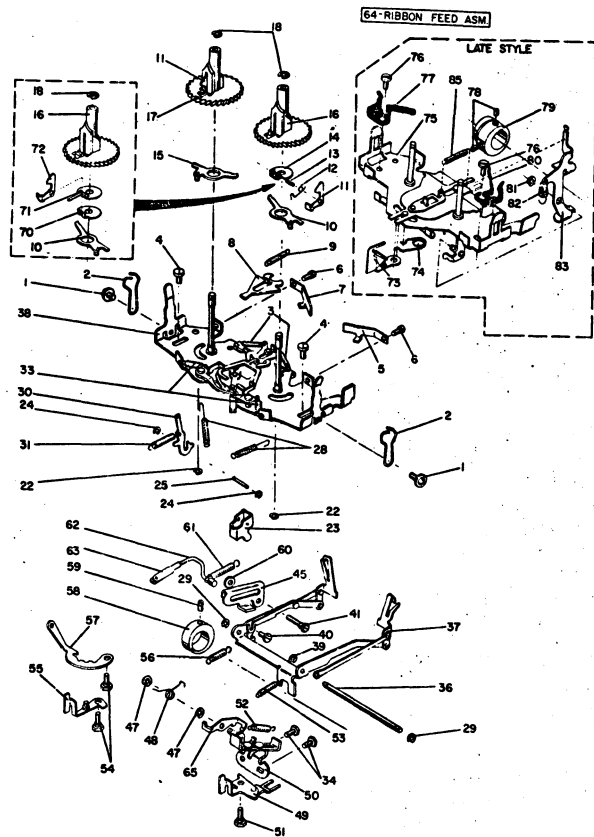


REF. PART NO.	DESCRIPTION	REF. PART NO.	DESCRIPTION
1	1135570 KNOB ASSEMBLY, LIGHT BLUE	50	1272076 F-1. B/M PIN FEED PLATEN, 11"
1	1135065 KNOB, GRAY, 11"	50	1272078 F-1. B/M PIN FEED PLATEN, 15"
1	1159353 KNOB, BLUE, 11"		72 B/M - KNOBS NOT INCLUDED
1	1159299 KNOB, NAVY, 11"		NOTE - ALL DIMENSIONS SHOWN FOR PLATENS AND CYLINDERS ARE PIN-TO-PIN DIMENSIONS.
1	1135377 KNOB, GRAY, 15"	51	311072 GRIP RING
1	1159295 KNOB, BLUE, 15"	52	1272659 B/M 4 & 8 PIN FEED
1	1159455 KNOB, NAVY, 15"	52	1272661 B/M 3 & 6 PIN FEED
2	1100523 SCREW, SET	53	1176934 RETAINING RING
3	1138361 BUSHING, RH, 11"	54	1176935 ROLLER, PAPER FEELER
3	1138360 BUSHING, RH, 15"		
4	251015 C-CLIP		
5	1159549 RATCHET, 36 TOOTH		
5	1164463 RATCHET, 27 TOOTH		
5	1164462 RATCHET, 24 TOOTH		
6	1138363 SPRING, PLATEN VARIABLE DRIVER, RATCHET		
7	1164476 DRIVER, RATCHET		
8	1138358 PIN, PLATEN VARIABLE		
9	1135594 STEEL CORE PLATEN, 27 TOOTH, 11"		
9	1128498 PLATEN, 24 TOOTH, 11"		
9	1128127 PLATEN, 27 TOOTH, 15"		
9	1141565 PLATEN, 24 TOOTH, 15"		
9	1166975 MAGNESIUM CORE PLATEN, 27 TOOTH, 11"		
9	1166976 PLATEN, 27 TOOTH, 15"		
9	1166977 PLATEN, 54 TOOTH, 15"		
9	1166992 PLATEN, 36 TOOTH, 15"		
9	1166993 PLATEN, 36 TOOTH, 11"		
10	1123549 BUSHING, LH SHAFT		
11	236571 RETAINER		
12	1273657 B/M, 4 & 8 LINE STAND		
12	1272660 B/M, 3 & 6 LINE STAND		
21	1128532 CARD HOLDER, 10P		
21	1135780 CARD HOLDER, 12P		
25	REFERENCE ONLY, ORDER REFERENCE 27 & 51		
26	REFERENCE ONLY, ORDER REFERENCE 27 & 51		
27	1128523 BUSHING, RH ORDER REFERENCE 51 ALSO		
28	1128525 ROD, PUSH, 11"		
28	1135537 ROD, PUSH, 15"		
29	1090568 SPRING, PUSH ROD		
30	1128527 RATCHET, 27 TOOTH		
30	1135192 RATCHET, 36 TOOTH		
31	1128528 DRIVER, RATCHET		
32	1128533 GUIDE, VARIABLE		
33	208459 NUT, PLATEN SHAFT		
35	1100951 SCREW, PINWHEEL		
36	1128522 PINWHEEL, RH		
37	CYLINDERS-PIN TO PIN LENGTH		
37	1128503 5-1/4"		
37	1128506 6"		
37	1128509 7-1/2"		
37	1128512 8"		
37	1128515 9"		
37	1128518 9-3/8"		
	THE FOLLOWING ARE FOR 15" MACHINES ONLY		
37	1135325 9-7/8"		
37	1135751 10"		
37	1135328 10-1/8"		
37	1135331 11-1/4"		
37	1135753 11-1/2"		
37	1135534 12 1/8"		
38	1128521 PINWHEEL, LH		
39	1128531 SHAFT, 11" MACHINE		
39	1135338 SHAFT, 15" MACHINE		
40	1128529 SPRING, COMPRESSION		
41	1128530 ROD, CAM ANCHOR, 11"		
41	1135323 ROD, CAM ANCHOR, 15"		
	PIN FEED PLATEN ASSEMBLIES NOTE: CHANGE CYLINDER WHEN PIN TO PIN DIMENSION MUST BE CHANGED		
	11" MACHINE		
42	1128502 5-1/4 PTP, 27T RATCHET		
42	1128505 6" PTP, 27T RATCHET		
42	1128508 7-1/2" PTP, 27T RATCHET		
42	1135292 8" PTP, 27T RATCHET		
42	1135194 8" PTP, 36T RATCHET		
42	1128514 9" PTP, 27T RATCHET		
42	1128517 9-3/8" PTP, 27T RATCHET		
	15" MACHINE		
42	1141976 5-1/4" PTP, 27T RATCHET		
42	1135761 6" PTP, 27T RATCHET		
42	1135762 6" PTP, 36T RATCHET		
42	1135763 7-1/2" PTP, 27T RATCHET		
42	1135764 7-1/2" PTP, 36T RATCHET		
42	1135765 8" PTP, 27T RATCHET		
42	1135766 8" PTP, 36T RATCHET		
42	1135767 9" PTP, 27T RATCHET		
42	1135768 9" PTP, 36T RATCHET		
42	1141977 9-3/8" PTP, 27T RATCHET		
42	1135324 9-7/8" PTP, 27T RATCHET		
42	1135754 10" PTP, 27T RATCHET		
42	1135756 10" PTP, 36T RATCHET		
42	1135327 10-1/8" PTP, 27T RATCHET		
42	1135757 10-1/8" PTP, 36T RATCHET		
42	1135330 11-1/4" PTP, 27T RATCHET		
42	1135758 11-1/4" PTP, 36T RATCHET		
42	1135755 11-1/2" PTP, 27T RATCHET		
42	1135759 11-1/2" PTP, 36T RATCHET		
42	1135333 13-1/8" PTP, 27T RATCHET		
42	1135760 13-1/8" PTP, 36T RATCHET		
43	257965 SCREW, SET		
44	236571 C-CLIP		
45	1128526 PIN, ROLL		
	B/M'S FOR FIELD INSTALLATION THE FOLLOWING B/M'S CONTAIN ALL PARTS REQUIRED FOR FIELD INSTALLATION. NOTE - ON ALL ORDERS, SPECIFY THE PIN FOR THE CYLINDER WITH THE DESIRED PIN-TO-PIN DIMENSION, THE PN FOR THE COLOR OF PLATEN KNOBS AND THE PN FOR THE CORRECT PITCH CARD HOLDERS.		

CODE-527



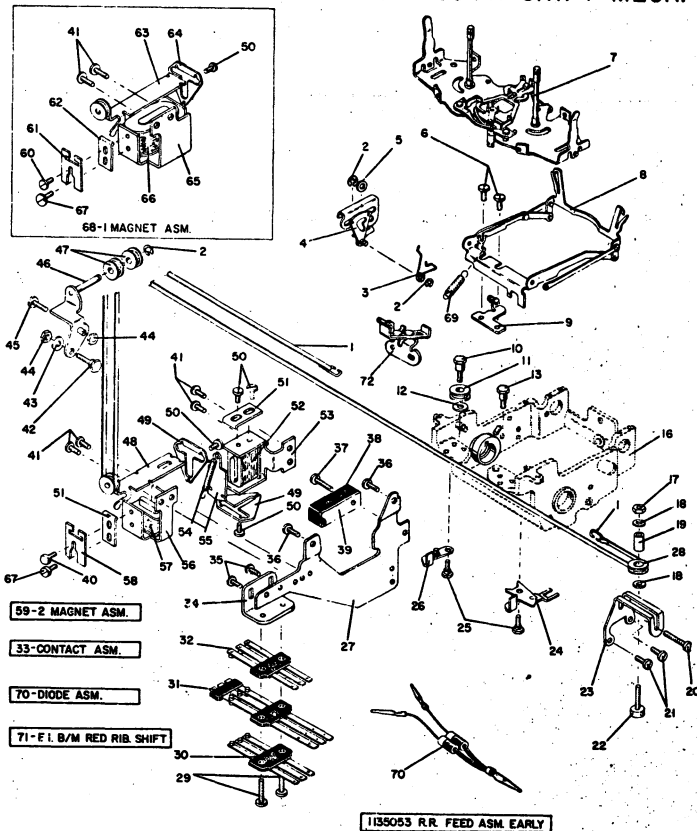
RIBBON MECH.



REF. PART NO.	DESCRIPTION	REF. PART NO.	DESCRIPTION
1	1141135 SCREW	65	1141303 LATCH, RIBBON FEED
2	1124191 SPRING, RETAINER	70	1141801 BRACKET, TRIGGER
3	1091647 SPRING, REVERSE INTERPOSER	71	1141800 SPRING, TRIGGER
4	1164580 SCREW, MOUNTING	72	1141878 TRIGGER, LM
5	1124185 SPRING, RH BRAKE	72	1141889 TRIGGER, RH
6	15887 SCREW, BRAKE MOUNTING	73	1164241 LEVER
7	1132067 SPRING, LH BRAKE	74	1164237 SPRING, DETENT LEVER
8	1124679 LEVER, INTERPOSER	75	1164220 PLATE, RIBBON FEED
9	1091647 SPRING, REVERSE INTERPOSER	76	1164580 SCREW
10	1132065 LEVER, REVERSE RH	77	1128403 SPRING, LH
11	1124144 TRIGGER, LM REVERSE	78	257957 SCREW, CAM
11	1124149 TRIGGER, RH REVERSE	79	1164240 CAM, FEED & DETENT
12	1124155 SPRING, TRIGGER	80	1128404 SPRING, RH
13	1124146 SHAFT, TRIGGER	81	219633 RETAINER
14	1132157 BRACKET, TRIGGER	82	1091647 SPRING, FEED LEVER
15	1132066 LEVER, REVERSE LH	83	1164236 LEVER, RIBBON FEED
16	1175133 RATCHET ASSEMBLY, RH	85	1164239 SPRING, FEED PAWL
17	1175132 RATCHET ASSEMBLY, LH		
18	219633 RETAINER, RATCHET		
22	251989 RETAINER, ARM		
23	1124122 BELLCRANK, FEED		
24	251989 RETAINER, SHAFT		
25	1124130 SHAFT, FEED PAWL		
28	1124189 SPRING, RIBBON CENTER		
29	219633 RETAINER, SHAFT		
30	1124127 PAWL, RIBBON FEED		
31	1074242 SPRING, FEED PAWL		
33	123491 SPRING, DETENT LEVER		
34	1124826 SCREW, CAM FOLLOWER		
36	1124662 SHAFT, LIFT		
37	1124659 GUIDE ASSEMBLY, LIFT		
38	1124123 PLATE ASSEMBLY, RIBBON		
39	219633 RETAINER, LINK		
40	1164578 SCREW, LIFT ADJUSTING		
41	1124665 SCREW, FOLLOWER		
45	1124663 FOLLOWER, LIFT		
47	1073418 C-CLIP		
48	1141304 SPRING		
49	1124668 LEVER ASSEMBLY, LOAD		
50	1124151 FOLLOWER ASSEMBLY, FEED		
51	1124672 STUD, LOAD LEVER		
52	1073863 SPRING, CAM FOLLOWER		
53	1100936 SPRING, LOAD		
54	1124672 SCREW, LIFT LEVER		
55	1124674 LEVER, RIBBON LIFT		
56	1091073 SPRING, LIFT ARM		
57	1124678 LEVER, LIFT CONTROL		
58	1128730 CAM, RIBBON LIFT		
58	1159507 CAM, RIBBON LIFT		
	ADOVE SN 460762		
59	1127760 SCREW, LIFT CAM		
60	1124664 SPACER, FOLLOWER		
61	1090404 SPRING, LIFT LINK		
62	1124680 LINK, LIFT CONTROL		
63	1070020 CLEVIS, PIN		
64	1141165 FEED ASSEMBLY, RIBBON		
64	1135053 FEED ASSEMBLY, RED RIBBON		
64	1164600 FEED ASSEMBLY, LATE		

CODE-529

RED RIBBON SHIFT MECH.

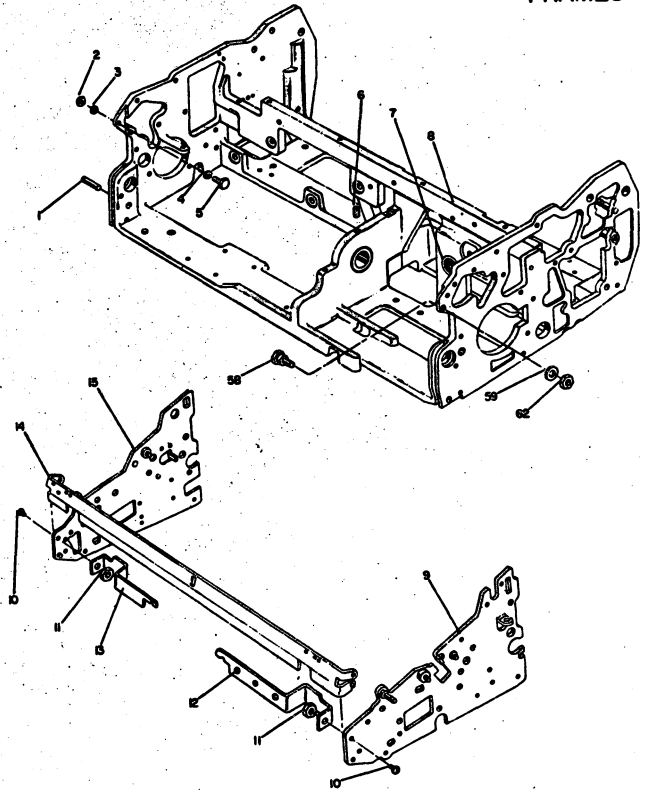


REF. PART NO.	DESCRIPTION	REF. PART NO.	DESCRIPTION
1	1159014 TAPE ASSEMBLY, RIBBON 11"	44	38051 NUT, 11" MACHINE
1 *	1128930 CORD ASSEMBLY, OLD 11"	45	38350 SCREW, 11" MACHINE
1	1159026 TAPE ASSEMBLY, RIBBON 15"	45	38352 SCREW, 15" MACHINE
2	219633 C-CLIP	46 *	1128916 BRACKET LM - OLD
3	1128722 SPRING	46**	1159007 BRACKET LH - NEW
4**	1128721 FOLLOWER, RED SHIFT	47	1128997 PULLEY - OLD
5	1124664 SCREW, BRACKET MOUNTING	47	1159017 PULLEY - NEW
6	1164580 SCREW, BRACKET MOUNTING	48 *	1128995 ARMATURE, RED RIBBON-OLD
7**	1128716 PLATE ASM, RED RIBBON	48**	1159020 ARMATURE, RED RIBBON-NEW
8**	1128719 GUIDE ASM, RED RIBBON	49	1128967 PLATE, ARM HINGE
9	1128727 ARM ASM, RIBBON LIFT	50	1164578 SCREW
10	1128732 STUD PULLEY-OLD	51	1128965 RESIDUAL, MAGNET
10**	1159009 STUD PULLEY-NEW	52	1135134 COIL, 48V
11 *	1128731 PULLEY CARRIER-OLD	52	1266894 COIL, 24V
11**	1159004 PULLEY CARRIER-NEW	53	1128959 CORE ASM, BLACK RIBBON
12 *	1128734 SPACER-OLD	54	1071691 SPRING, ARMATURE
12**	1138796 SPACER-NEW	55	1128969 ARMATURE, BLACK RIBBON
13	1128733 SCREW, CORD ANCHOR	56	1128962 CORE ASM, RED RIBBON
16**	1128740 CARRIER, CASTING RED RIBBON	57	1128964 COIL, RED RIBBON, 48V
16	1141200 CARRIER, CASTING	57	1266893 COIL, RED RIBBON, 24V
	WHEN REPLACING CARRIER CASTING ON	58	1128966 BACKSTOP, ARM
	11" BELOW 4036419 & 15" BELOW	59	1159021 2 MAGNET ASSEMBLY
	4354172, ORDER NYLON THRUST WASHER	60	1164578 SCREW
	PN 1141189 AND ROCKER BEARING	61	1128966 BACKSTOP, ARM
	WASHER PN 1078497	62	1128965 RESIDUAL, MAGNET
17 *	257186 NUT - OLD	63 *	1128741 ARMATURE ASSEMBLY-OLD
17**	37913 NUT-NEW	63**	1159023 ARMATURE ASSEMBLY-NEW
18 *	1124247 WASHER - OLD	64	1128967 PLATE, ARM HINGE
18**	263680 WASHER-NEW	65	1128919 CORE ASSEMBLY MAGNET
19 *	1128911 SPACER - OLD	66	1128910 COIL 48V
19**	1159016 SPACER-NEW	66	1280358 COIL 24V
20 *	251283 SCREW - OLD	67	1132068 SCREW
20**	332192 SCREW-NEW	68	1159024 1-MAGNET ASSEMBLY
21 *	38261 SCREW - OLD	69	1124722 SPRING GUIDE ASSEMBLY
21	1164580 SCREW, 11" NEW	70	1135643 DIODE ASSEMBLY COMMON ANODE
21	236550 SCREW, 15" NEW	70	1159420 DIODE ASSEMBLY COMMON CATHODE
22 *	1128914 PIVOT RH - OLD		
22**	1159010 PIVOT SCREW-NEW		
23 *	1128915 BRACKET RH - OLD		
23**	1159008 BRACKET 11"-NEW		
23**	1159027 BRACKET 15"-NEW		
24**	1128736 LEVER, LOAD, RED RIBBON		
25	1124672 SCREW, MOUNTING		
26**	1128738 LEVER, LIFT, RED RIBBON		
27	1128993 BRACKET, CONTACT MOUNTING		
28	1159015 PULLEY, RH		
29	438550 SCREW		
30	1128908 CONTACT N/O		
31	1128934 CONTACT O/S		
32	1128909 CONTACT N/C		
33	1262789 CONTACT ASSEMBLY		
34	1128994 BRACKET, CONTACT		
35	341216 SCREW, BRACKET MOUNTING		
36	1164580 SCREW, BRACKET MOUNTING		
37	438549 SCREW, TERMINAL MOUNTING		
38	317767 BLOCK, TERMINAL		
39	317766 INSULATOR, BLOCK		
40	1127785 SCREW		
41	1117759 SCREW, CORE MOUNTING		
42	1135593 SCREW, LH BRACKET 11"		
42	38352 SCREW, LH BRACKET 15"		
43	1090970 SPACER		
		44	38051 NUT, 11" MACHINE
		45	38350 SCREW, 11" MACHINE
		45	38352 SCREW, 15" MACHINE
		46 *	1128916 BRACKET LM - OLD
		46**	1159007 BRACKET LH - NEW
		47	1128997 PULLEY - OLD
		47	1159017 PULLEY - NEW
		48 *	1128995 ARMATURE, RED RIBBON-OLD
		48**	1159020 ARMATURE, RED RIBBON-NEW
		49	1128967 PLATE, ARM HINGE
		50	1164578 SCREW
		51	1128965 RESIDUAL, MAGNET
		52	1135134 COIL, 48V
		52	1266894 COIL, 24V
		53	1128959 CORE ASM, BLACK RIBBON
		54	1071691 SPRING, ARMATURE
		55	1128969 ARMATURE, BLACK RIBBON
		56	1128962 CORE ASM, RED RIBBON
		57	1128964 COIL, RED RIBBON, 48V
		57	1266893 COIL, RED RIBBON, 24V
		58	1128966 BACKSTOP, ARM
		59	1159021 2 MAGNET ASSEMBLY
		60	1164578 SCREW
		61	1128966 BACKSTOP, ARM
		62	1128965 RESIDUAL, MAGNET
		63 *	1128741 ARMATURE ASSEMBLY-OLD
		63**	1159023 ARMATURE ASSEMBLY-NEW
		64	1128967 PLATE, ARM HINGE
		65	1128919 CORE ASSEMBLY MAGNET
		66	1128910 COIL 48V
		66	1280358 COIL 24V
		67	1132068 SCREW
		68	1159024 1-MAGNET ASSEMBLY
		69	1124722 SPRING GUIDE ASSEMBLY
		70	1135643 DIODE ASSEMBLY COMMON ANODE
		70	1159420 DIODE ASSEMBLY COMMON CATHODE
			*INDICATES PARTS USED WITH ROUND RIBBON SHIFT CORD
			**INDICATES PARTS USED WITH FLAT MYLAR RIBBON SHIFT TAPE
			***USED ONLY ON MACHINES WITH RED RIBBON SHIFT
		71	1272005 B/M 1 MAG 11"
		71	1272007 B/M 1 MAG 15"
		71	1272006 B/M 2 MAG 11"
		71	1272008 B/M 2 MAG 15"
		72	1159167 FOLLOWER, RED RIBBON

CODE-530

REF. PART NO.	DESCRIPTION	REF. PART NO.	DESCRIPTION
1	326264 PIN, 15" MACHINE		
2	38051 NUT		
3	6364 WASHER		
4	1132185 ECCENTRIC, LH 11"		
5	1124296 SCREW, LH 11"		
5	1135592 SCREW		
6	USED WITH BEARING PLATE 1135590		
6	1132147 WICK, CENTER BEARING		
7	1145359 BEARING, ESCAPEMENT SHAFT		
8	FRAME, ASSEMBLY, POWER - ORDER BY MACHINE S/N AND CARRIAGE LENGTH 11" OR 15"		
9	1128905 FRAME, RH 11"		
9	1135348 FRAME, RH 15"		
10	338238 SCREW		
11	38214 NUT		
12	1135163 ANCHOR, KEYLEVER SPRING RH		
13	1135164 ANCHOR, KEYLEVER SPRING LH		
14	1141226 GUARD, KEYLEVER		
14	1134823 GUARD, KEYLEVER		
14	USED WITH STUD DOWNSTOP		
14	1128889 GUARD, KEYLEVER		
14	USED WITH ADJUSTABLE PLATE DOWNSTOP		
15	1128904 FRAME, LH 11"		
15	1135347 FRAME, LH 15"		
58	1135593 SCREW, OTHER		
59	1074145 WASHER, BRACKET MOUNTING		

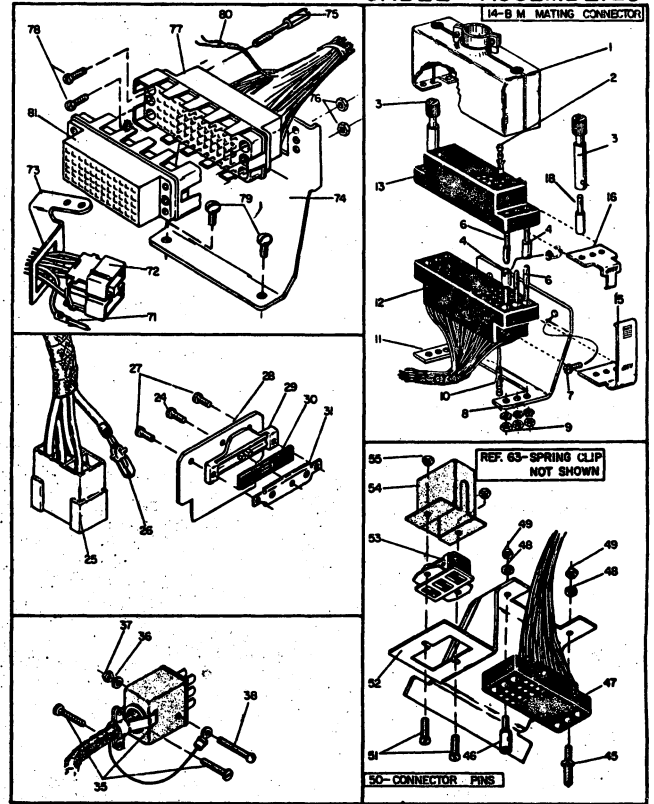
FRAMES



CODE-531

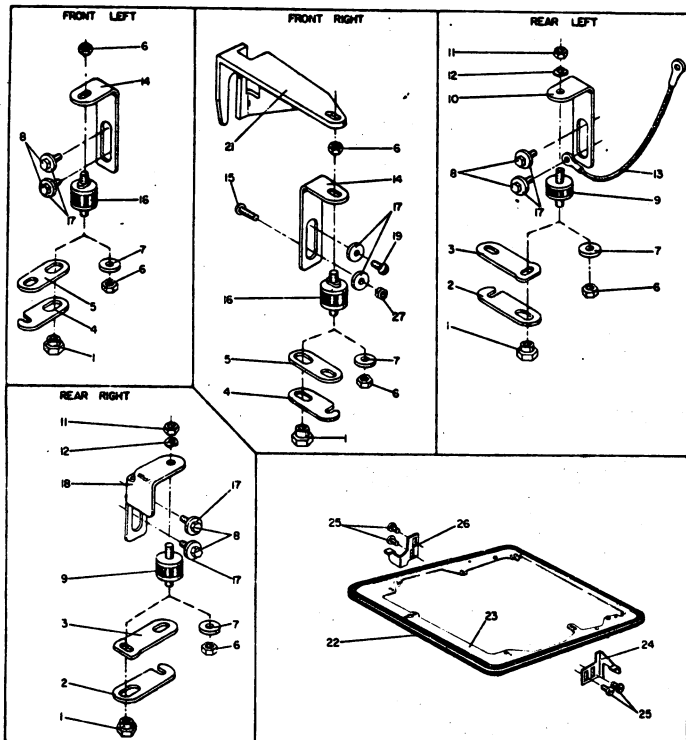
REF. PART NO.	DESCRIPTION	REF. PART NO.	DESCRIPTION
1	2127859 HOOD, MATING CONNECTOR	73	1166358 BRACKET, 6 POSITION CONNECTOR
2	2122259 SOCKET CONNECTOR, FEMALE	74	1166036 BRACKET, 60 POSITION CONNECTOR
2	2122261 SOCKET, GROUND POSITION	75	744606 SCREW, JACK
3	2122628 JACKSOCKET, LONG	76	1134635 NUT, CONNECTOR MOUNTING
4	2122735 SOCKET GUIDE CORNER	77	631647 CONNECTOR, 60 POSITION, MALE
5	2123029 JACKSCREW, FIXED	78	38264 SCREW, CONNECTOR MOUNTING
6	2122734 PIN, CORNER GUIDE	79	1164577 SCREW, BRACKET MOUNTING
7	1164576 SCREW, CONNECTOR BRACKET	80	1160976 PIN, 60 POSITION CONNECTOR
8	150209 WASHER, LOCK	81	631648 CONNECTOR, 60 POSITION, FEMALE
9	1127763 NUT, GUIDE PINS		
10	2122258 PIN, MALE CONNECTOR		
10	2122260 PIN, GROUND ONLY		
11	1166036 BRACKET, CONNECTOR MTG		
11	1159516 BRACKET 870		
12	2122471 CONNECTOR, BLACK, MALE		
12	1159358 CONNECTOR, MALE, 775		
13	2122472 CONNECTOR, FEMALE		
13	1272062 CONNECTOR, FEMALE, 775		
14	1159077 MATING CONNECTOR 3/4" INCLUDES ALL HARDWARE USED IN FEMALE CONNECTOR.		
15	2127988 SPRING CLIP		
16	2127989 SPRING CATCH		
17	2123034 STRAIN RELIEF CLAMP		
18	2123029 JACK SCREW, MALE		
24	236550 SCREW, PADDLE CONNECTOR		
25	523268 HOUSING, PLASTIC		
26	523255 TAB		
27	338238 SCREW, PADDLE CONNECTOR		
28	491349 CARD, PADDLE		
29	216209 SUPPORT, PADDLE		
30	216210 FILLER, RUBBER		
31	216208 CLAMP, CABLE		
35	321000 CONNECTOR ASSEMBLY		
36	598203 WASHER		
37	598201 NUT		
38	598202 SCREW		
45	PART OF REF 47		
46	1272064 CONNECTOR, GE ONLY		
46	PART OF REF 47		
47	532479 CONNECTOR BLOCK		
48	PART OF REF 47		
49	PART OF REF 47		
50	523034 PIN		
50	532902 PIN, GROUND CONNECTOR		
51	42361 SCREW, 3-PLUG MOUNTING		
52	1135100 BRACKET, SABRE		
52	1159970 BRACKET		
	USED WITH PH OPR CONTACTS		
53	300761 PLUG, 3-SOCKET		
54	1135019 INSULATION		
55	77843 NUT		
60	1135285 CABLE, 11" CORR		
60	1135282 CABLE, 11" BCD		
60	1135354 CABLE, 15" CORR		
60	1135353 CABLE, 15" BCD		
60	1159356 CABLE, 775 (50 PIN)		
60	1166328 CABLE ASSEMBLY, 775		
61	2108398 PIN, TOOL		
63	512403 SPRING CLIP		
71	1166114 PIN, 6 POSITION CONNECTOR		
72	1160983 CONNECTOR, 6 POSITION, MALE		

CABLE ASSEMBLIES



CODE-533

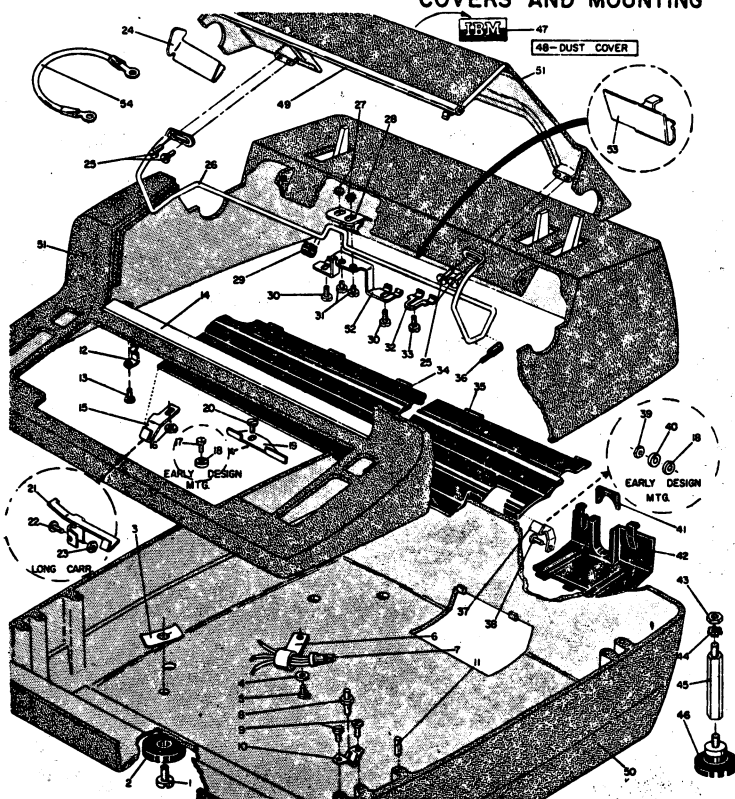
COVER MOUNTING



REF. PART NO.	DESCRIPTION	REF. PART NO.	DESCRIPTION
1	1141137	NUT, SHOCK MOUNTING	
2	1141138	PLATE, REAR MOUNTING	
3	1124317	BRACKET, COVER, REAR	
4	1141139	PLATE, FRONT MOUNTING	
5	1124315	BRACKET, COVER, FRONT	
6	1090041	NUT, RING MOUNTING	
7	1091388	WASHER, SHOCK MOUNTING	
8	1141136	SCREW, FRONT & RH REAR MOUNTING	
9	1135121	SHOCKMOUNT, REAR	
10	1124318	BRACKET, REAR LH	
11	* 1090041	NUT, RM ONLY	
11	* 163518	NUT, FS ONLY	
12	* 1072477	WASHER, RM ONLY	
13	1110643	JUMPER, COVER, GROUND	
14	1124316	BRACKET, COVER, 11"	
15	35739	SCREW, BRACKET, 11"	
15	38348	SCREW, BRACKET, 15"	
16	1134857	SHOCKMOUNT, FRONT	
17	1124461	WASHER, MARGIN BRACKET	
18	1124319	BRACKET, REAR RM	
19	1117759	SCREW	
21	1128179	BRACKET, 15"	
22	1135137	GASKET, 11"	
22	1135374	GASKET, 15"	
23	1135086	RING, 11"	
23	1135144	RING, 15"	
23	1135376	RING, 15"	
24	1135295	BRACE, RM	
25	1117759	SCREW	
26	1135298	BRACE, LH	
27	257187	NUT, BRACKET MOUNTING	
*RM INDICATES RING MOUNTED COVER FS INDICATES FREE STANDING COVER			

CODE - 534

COVERS AND MOUNTING

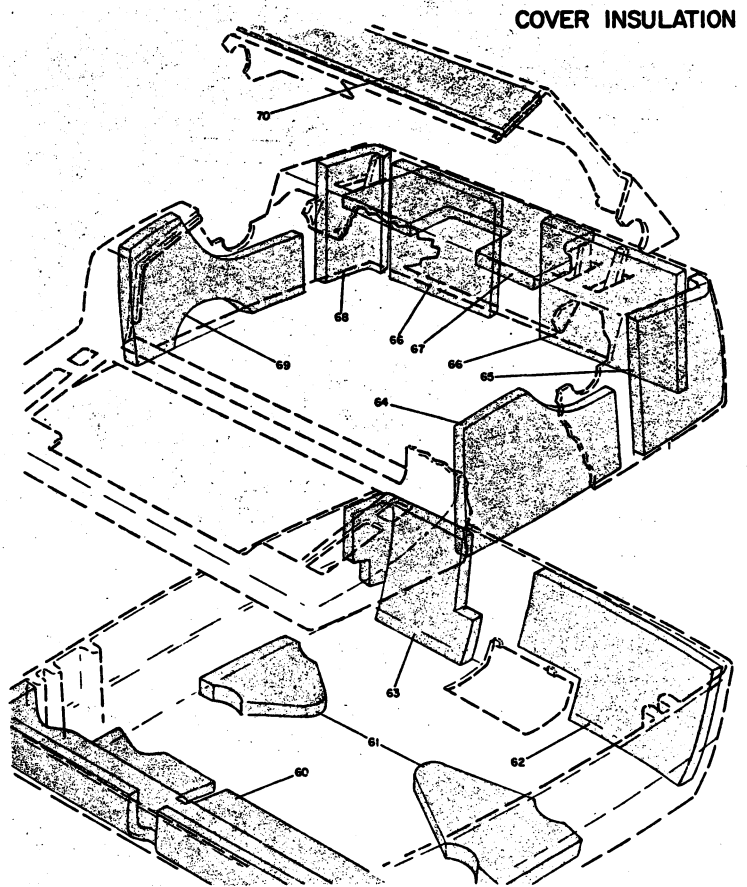


REF. PART NO.	DESCRIPTION	REF. PART NO.	DESCRIPTION
1	1141092	SCREW, FOOT MOUNTING	
2	1117393	FOOT, BOTTOM COVER	
3	1091743	NUT, FOOT MOUNTING	
4	1074145	WASHER, CABLE CLIP	
5	438549	SCREW, CABLE CLIP	
6	303538	CLAMP, CABLE	
7	1115061	CONNECTOR	
8	1135118	STUD, COVER FASTENER	
9	48594	SCREW, SPRING FASTENER	
10	* 1135117	FASTENER, 11" FS	
10	363319	FASTENER, 15" FS	
10	* 1135459	FASTENER, RING MOUNTING	
11	1132200	PIN COVER ASSEMBLY	
12	1124330	LATCH, CENTER COVER	
13	1164576	SCREW	
14	1124326	TRIM, MARGIN, 11"	
14	1135594	TRIM, MARGIN, 15"	
15	1141052	CLIP, LH SHOULDER, 11"	
16	257187	NUT, LH CLIP	
17	1134854	SCREW, FRONT MOUNTING	
17	341216	SCREW, REAR MOUNTING	
18	1135634	WASHER, FELT	
19	1138383	CLIP, SHIELD CENTER	
20	1164580	SCREW	
21	1141837	CLIP, LH, 15"	
22	322551	SCREW, MOUNTING, 15"	
23	257187	NUT, MOUNTING BRACKET, 15"	
24	1132248	GUIDE, PAPER GAUGE	
25	1164580	SCREW	
26	1124337	HINGE, 11"	
26	1128175	HINGE, 15"	
27	257187	NUT, COVER LATCH	
28	1135462	LATCH, COVER, OPEN	
29	1138464	RETAINER	
30	1164580	SCREW	
31	1164576	SCREW	
32	1124336	BRACKET, COVER HINGE	
32	1166191	BRACKET, HINGE	
USED ABOVE SN 4619512			
33	1117759	SCREW	
34	1138380	SHIELD, LH DUST	
34**	1132126	SHIELD, LH DUST	
35	1138381	SHIELD, RH 11"	
35	1135344	SHIELD, RH 15"	
35**	1132127	SHIELD, RH 11"	
35**	1128026	SHIELD, RH 15"	
36	1141060	CLIP, COVER INTERLOCK	
37	1141051	CLIP, SHIELD RH	
38	1117759	SCREW, RM CLIP	
39**	38051	NUT, SHIELD MOUNTING	
40**	1132030	SPACER, DUST SHIELD	
**OLD STYLE SCREW IN TYPE			
41	1135363	INSERT, GROMMET	
42	1135248	GROMMET, BOTTOM COVER	
43	1091743	NUT, LEG EXTENSION	
44	76574	WASHER, LOCK	
45	* 1135491	LEG FRAME RM	
45	* 1128543	LEG FRAME FS	
*RM INDICATES RING MOUNTED MACHINE FS INDICATES FREE STANDING.			
46	325625	FOOT WORK	
47	1141177	DECAL, IBM	
48	1135432	DUST COVER, 11"	
48	1135433	DUST COVER, 15"	
49	1128180	SCALE, 10P 15"	
49	1124327	SCALE, 10P 11"	
49	1124347	SCALE, 12P 11"	
49	1128182	SCALE, 12P 15"	
BOTTOM COVER ASSEMBLY			
50	1135104	ET, 11"	
50	1135371	ET, 15"	
CENTER AND TOP COVER			
51	1135221	ET, 11"	
51	1135366	ET, 15"	
51	1135367	ET, 15" RM	
52	1124335	BRACKET, HINGE	
52	1166191	BRACKET, HINGE	
USED ABOVE SN 4619512			
SPECIFY COLOR ON ET I/D, SPECIFY ONE OF THE FOLLOWING			
COLOR		PAINT SPEC	
GARNET ROSE		635	
TOPAZ BRONZE		668	
EMERALD GREEN		669*	
OPAL GRAY		678	
SCALE BLUE		632	
ONYX BLUE		679	
SAPPHIRE BLUE		674	
SANDSTONE BEIGE		680	
LIGHT GRAY TEK		803	
OFF WHITE VINYL		814	
I/D GRAY		818	
DP CHARCOAL		812	
SPECIAL COLOR SUBMIT SER			
53	1176857	PAPER SWITCH LOCKOUT	
54	1159636	GROUND WIRE BOTTOM COVER	

CODE - 535

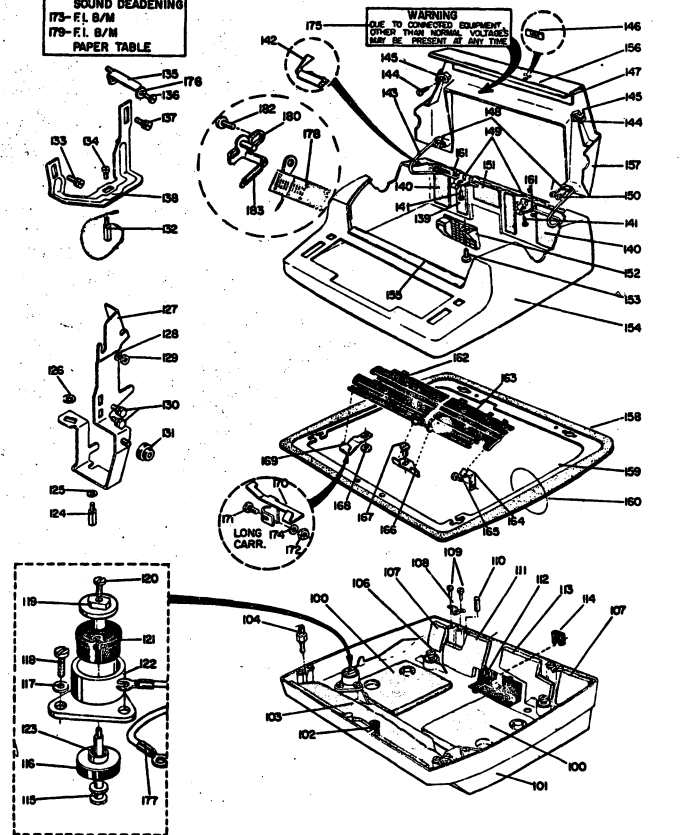
REF. PART NO.	DESCRIPTION
60	1135260 INSULATION, 11"
60	1135599 INSULATION, 15"
61	1135448 INSULATION, BOTTOM COVER
62	1135299 INSULATION, BOTTOM RS
63	1135261 INSULATION, BOTTOM LS
64	1135251 INSULATION, CENTER RS
65	1135255 INSULATION, COR RH
66	1135253 INSULATION, 11"
66	1135598 INSULATION, 15"
67	1135256 INSULATION, TOP CENTER
68	1135254 INSULATION, COR LH
69	1135252 INSULATION, CENTER LS
70	1135257 INSULATION, 11"
70	1135597 INSULATION, 15"
100	1159625 INSULATION, 11"
100	1159630 INSULATION, 15"
<b>BOTTOM COVER</b>	
101	1159753 731 ET
101	1159762 775 ET
101	1159756 735 ET
102	1128341 RETAINER
103	1159624 INSULATION, 11"
103	1159629 INSULATION, 15"
104	1159635 STUD, BALL
106	1117641 INSERT, REAR
107	1159599 INSULATION, 11"
107	1159628 INSULATION, 15"
108	1159632 CATCH
109	1164579 SCREW WITH RING
109	1164576 SCREW W/O RING
110	1132200 PIN GUIDE
111	1159627 INSULATION
112	1135248 GROMMET
113	1159626 INSULATION
114	1135363 INSERT
115	1159567 WASHER, FRONT FOOT
116	1159565 FOOT
117	1090622 WASHER, MOUNTING
118	322550 SCREW, MOUNTING
119	1116930 INSERT, FRONT FOOT
120	311642 SCREW, FRONT
121	1117391 MOUNT, RUBBER FRONT
121	1117865 MOUNT, RUBBER REAR
122	1159562 MOUNT, SHOCK, FRONT
123	1159652 SCREW, FRONT FOOT
123	1159651 SCREW, REAR FOOT
124	1159633 SCREW, FREE STANDING
124	1159634 LEG, REAR, RING MOUNTING
125	3350 WASHER
126	131599 SPACER, FREE STANDING
126	1159559 SPACER WITH BOCSES
126	1159560 SPACER, RING MOUNTING
127	1159585 BRACKET, RH REAR
127	1166037 BRACKET, LH REAR
USED WITH PERMITS MAKE OP CONTACT	
127	1159586 BRACKET, LH REAR 11"
127	1159584 BRACKET, LH REAR 15"
128	3550 WASHER
129	3960 NUT, BRACKET MOUNTING
130	1141136 SCREW, BRACKET MOUNTING
131	1159556 ROLLER, 11"
131	1159557 ROLLER, 15"
132	1135492 LEG, FRONT
133	311642 SCREW, BRACKET MOUNTING
134	311642 SCREW, SHIPPING
135	1159561 HANDLE
136	1164579 SCREW, HANDLE
137	311642 SCREW, BRACKET MOUNTING
138	1159553 BRACKET, RH FRONT
138	1159554 BRACKET, LH FRONT
139	1159594 INSULATION
140	1159595 INSULATION, 11"
140	1159596 INSULATION, 15"
141	1164373 SCREW, HINGE
142	1132248 GUIDE, PAPER
143	1166033 HINGE, LH
144	1164582 SCREW
145	1141520 LATCH, COVER
146	1141177 DECAL, IBM
147	1159597 INSULATION, 11"
147	1159598 INSULATION, 15"
148	1124084 SCREW, HINGE
149	1164100 BRACKET, HINGE
150	1166034 HINGE, RH
151	1159593 INSULATION
152	1135739 VENT, GRAY
153	1164576 SCREW, VENT
*731 AND 735 ABOVE SERIAL NO. 4625776 USE SELF-TAPPING SCREW PN 811421	
<b>COVER CENTER</b>	
154	1159752 731 ET
154	1159761 775 ET
154	1159755 735 ET
155	1159577 TRIM, 11"
155	1159578 TRIM, 15"
156	1159579 SCALE, 10P 11"
156	1159580 SCALE, 12P 11"
156	1159581 SCALE, 10P 15"
156	1159582 SCALE, 12P 15"
<b>COVER TOP</b>	
157	1159760 776 ET
157	1159751 731 ET
157	1159754 735 ET
158	1159570 GASKET, 11"
158	1159573 GASKET, 15"
159	1159569 RING, 11"
159	1159572 RING, 15"
159	* 1159639 RING, 11"
160	1159568 RING ASSEMBLY, 11"
160	1159571 RING ASSEMBLY, 15"
160	* 1159638 RING ASSEMBLY, 11"
*USED TO ADAPT OLD STYLE TOP COVER TO TILT UP BOTTOM COVER	
161	530552 RETAINER
162	1142449 SHIELD, LH 15"
162	1138380 SHIELD, LH 11"
163	1141645 SHIELD, RH 15"
163	1138381 SHIELD, RH 11"
163	1159490 SHIELD, RH 11"
ABOVE SN 4615351	
164	1141051 CLIP, SHIELD RH

REF. PART NO.	DESCRIPTION
164	1166040 CLIP, RH 11"
164	USED WITH PM OPR CONTACTS
165	1117759 SCREW, RH CLIP
166	1138383 CLIP, CENTER
167	1164580 SCREW, CENTER CLIP
168	257187 NUT, LH CLIP
169	1141052 CLIP, LH 11"
169	1141055 CLIP, LH 15"
169	USED WITH IMP CONTROL C&R
170	1141050 CLIP, LH 15"
171	322551 SCREW, CLIP, 15"
172	257187 NUT, BRACKET MTG 15"
FI B/M - TILT UP COVERS	
NOTE - WHEN ORDERING DIE CAST COVERS TO REPLACE SAND CAST COVERS - ORDER MTG B/M AND COVER B/M-SPECIFY PITCH AND PAINT SPEC	
<b>MOUNTING B/M</b>	
173	1272782 RING MOUNTING, 15"
173	1272781 RING MOUNTING, 11"
173	1272780 FREE STANDING, 15"
173	1272779 FREE STANDING, 11"
<b>COVERS B/M</b>	
173	1272783 ALKYD PNT FS 11"
173	1272784 VINYL PNT FS 11"
173	1272785 ALKYD PNT RM 11"
173	1272786 VINYL PNT RM 11"
173	1272787 ALKYD PNT FS 15"
173	1272788 VINYL PNT FS 15"
173	1272789 ALKYD PNT RM 15"
173	1272790 VINYL PNT RM 15"
NOTE-RM RING MTG - FS FREE STNDG	
TILT UP BOTTOM COVER B/M	
174	1090970 WASHER
175	1166099 SIGN-SAFETY
176	6364 LOCKWASHER
177	1159636 GROUND WIRE BOTTOM COVER
<b>PAPER TABLES</b>	
178	1128261 10P 731
178	1128262 12P 731
178	1128265 10P 735 & 775
178	1128266 12P 735 & 775
179	1271993 B/M PAPER TABLE INSTALLATION. ALSO ORDER PAPER TABLE.
180	1141924 BRACKET, MTG, RH
180	1141925 BRACKET, MTG, LH
182	1117759 SCREW, BRACKET MOUNTING
183	1128231 SPRING, PAPER TABLE
184	1272177 B/M, SOUND INSULATE



184-FI B/M SOUND DEADENING  
175-FI B/M  
179-FI B/M  
PAPER TABLE

TILT-UP COVERS



CODE - 535

AUG. 15, 1966

